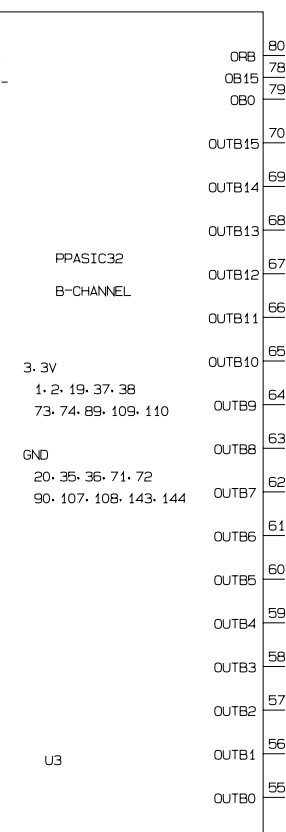
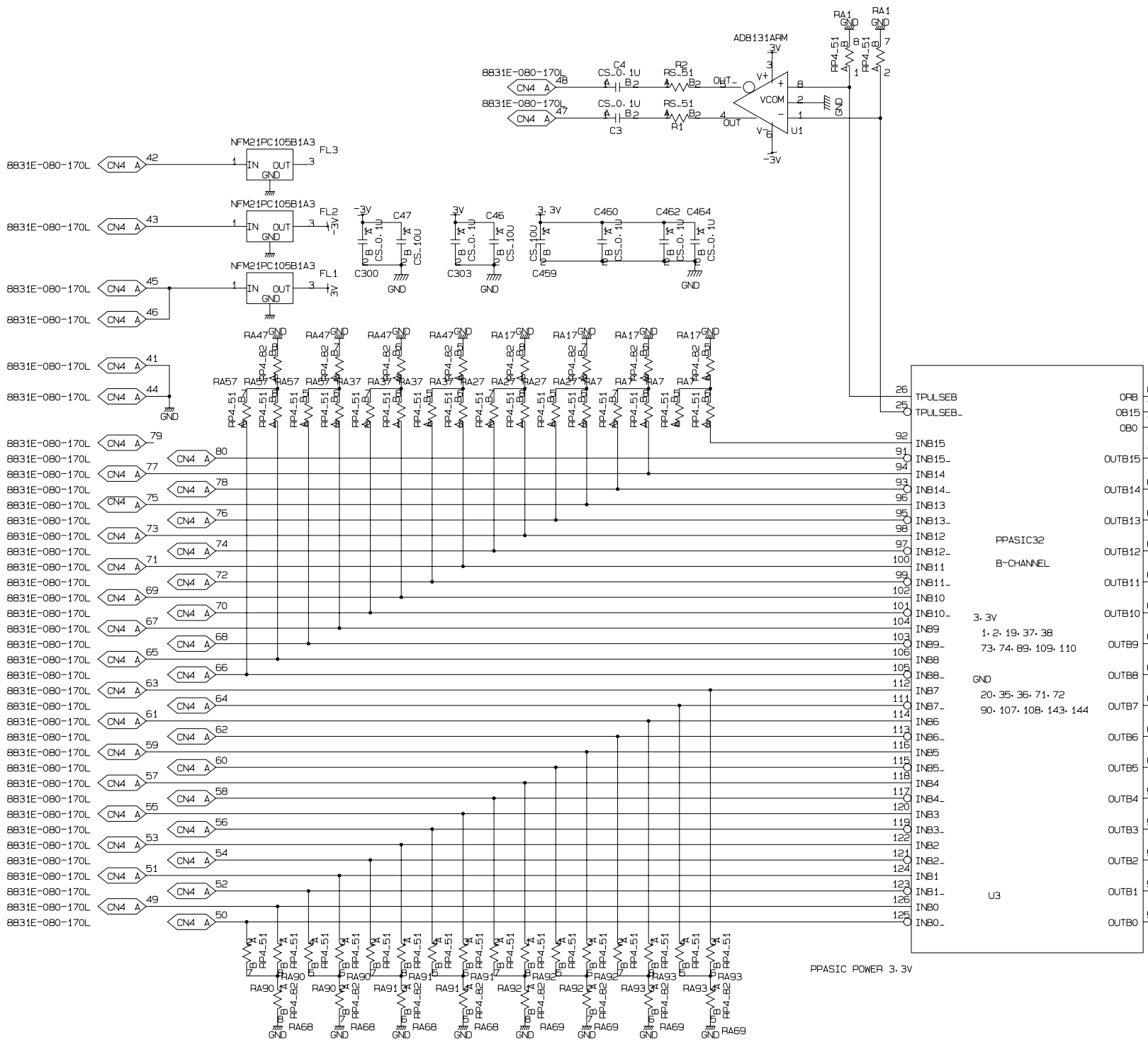
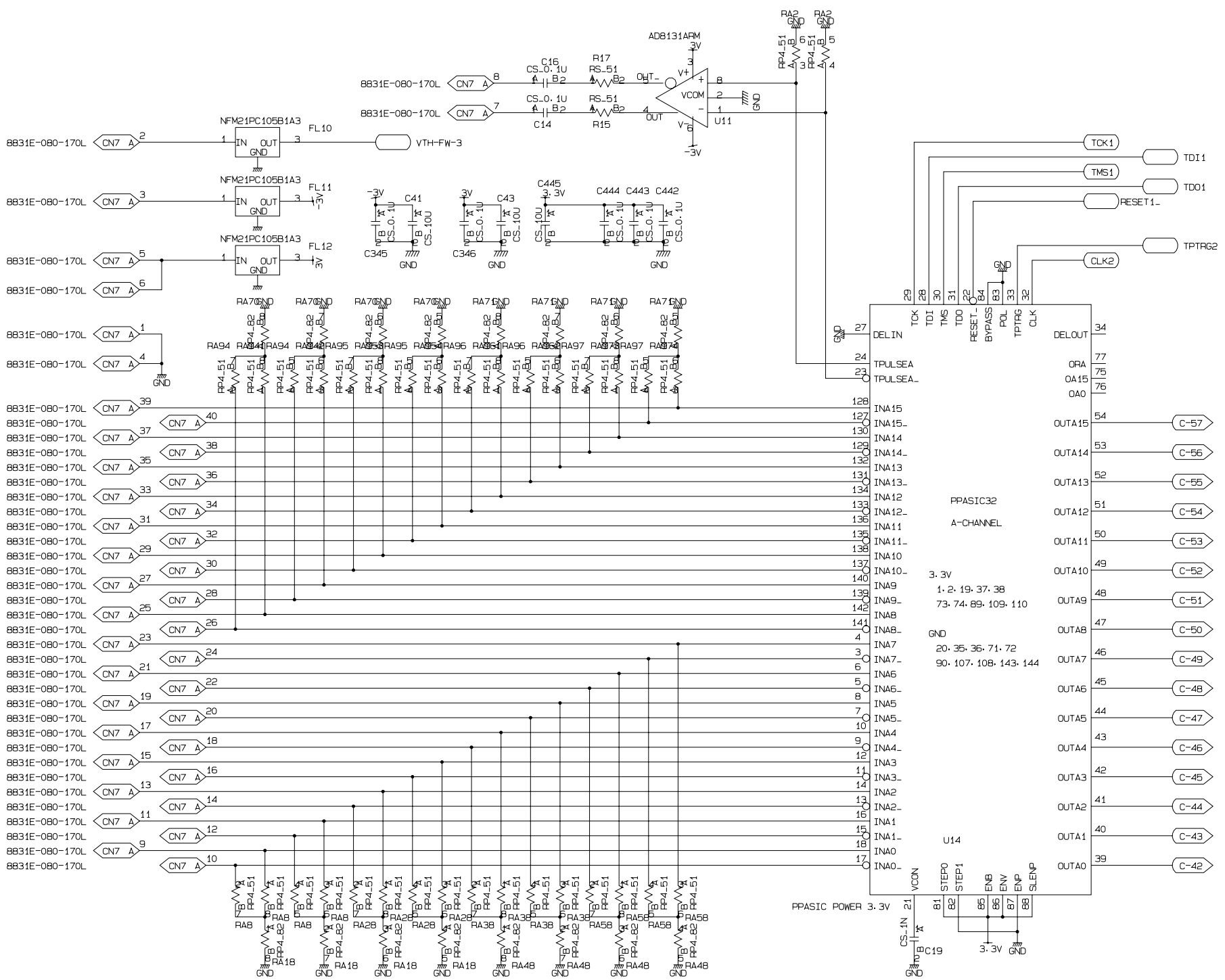


FT0 PWB=GN-05xxx

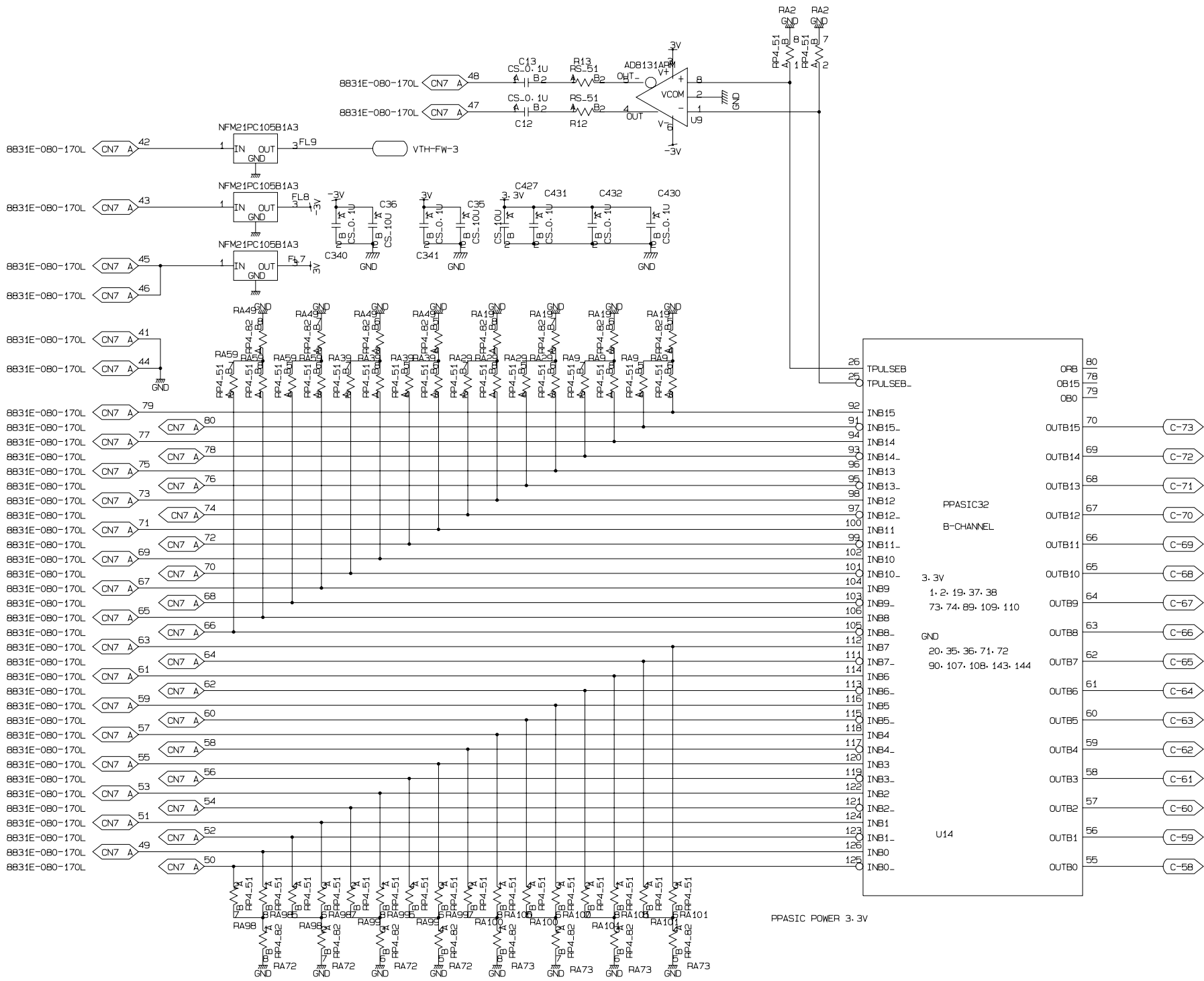
TITLE	FT0 PS-Board	PAGE
DATE & REV	2005-04-30	1
DESIGNED BY	KEK SASAKI	
	NC	



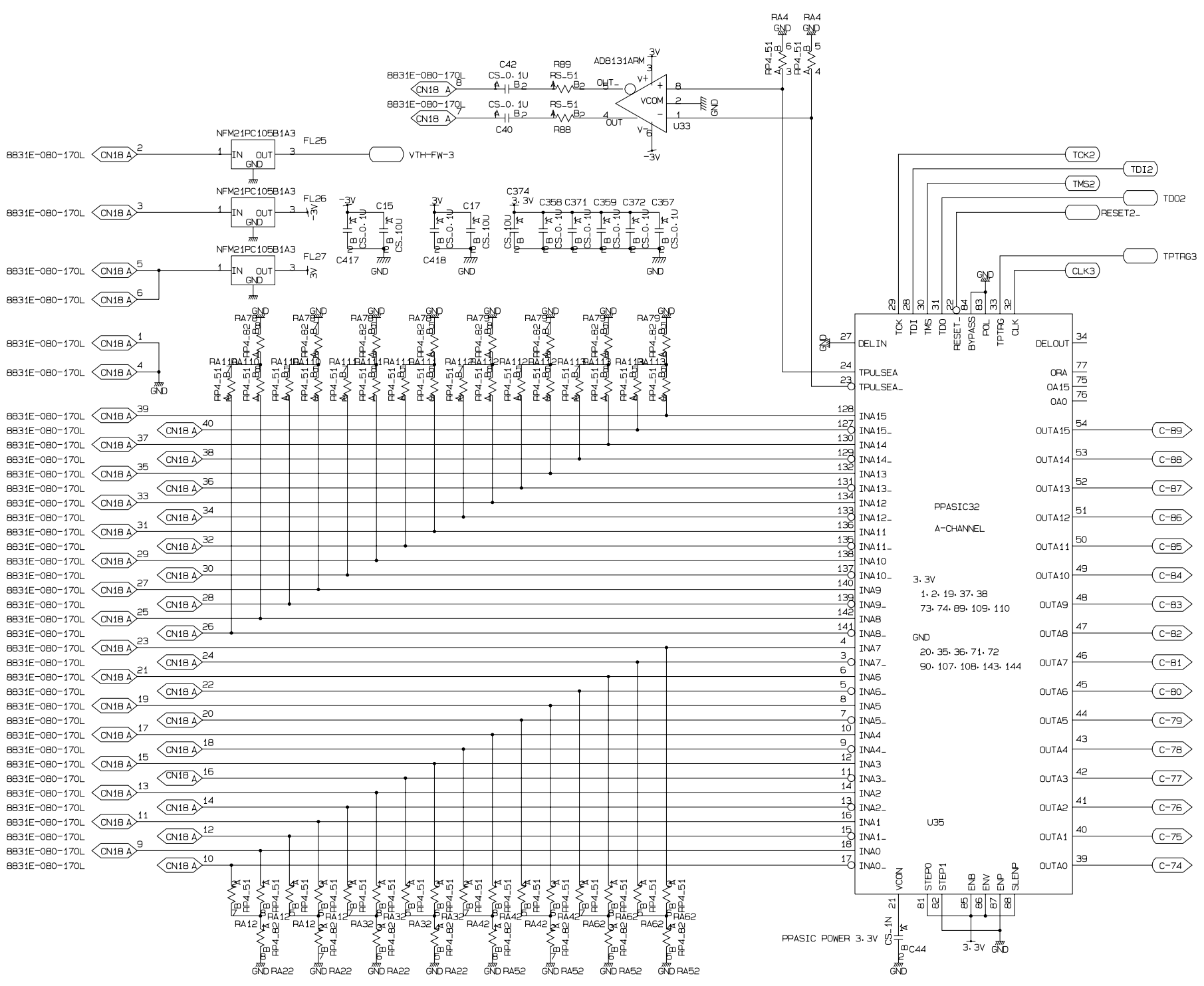
TITLE	FT0 PS-Board	PAGE
DATE & REV	2005-04-30	2
DESIGNED BY	KEK SASAKI	
	NC	



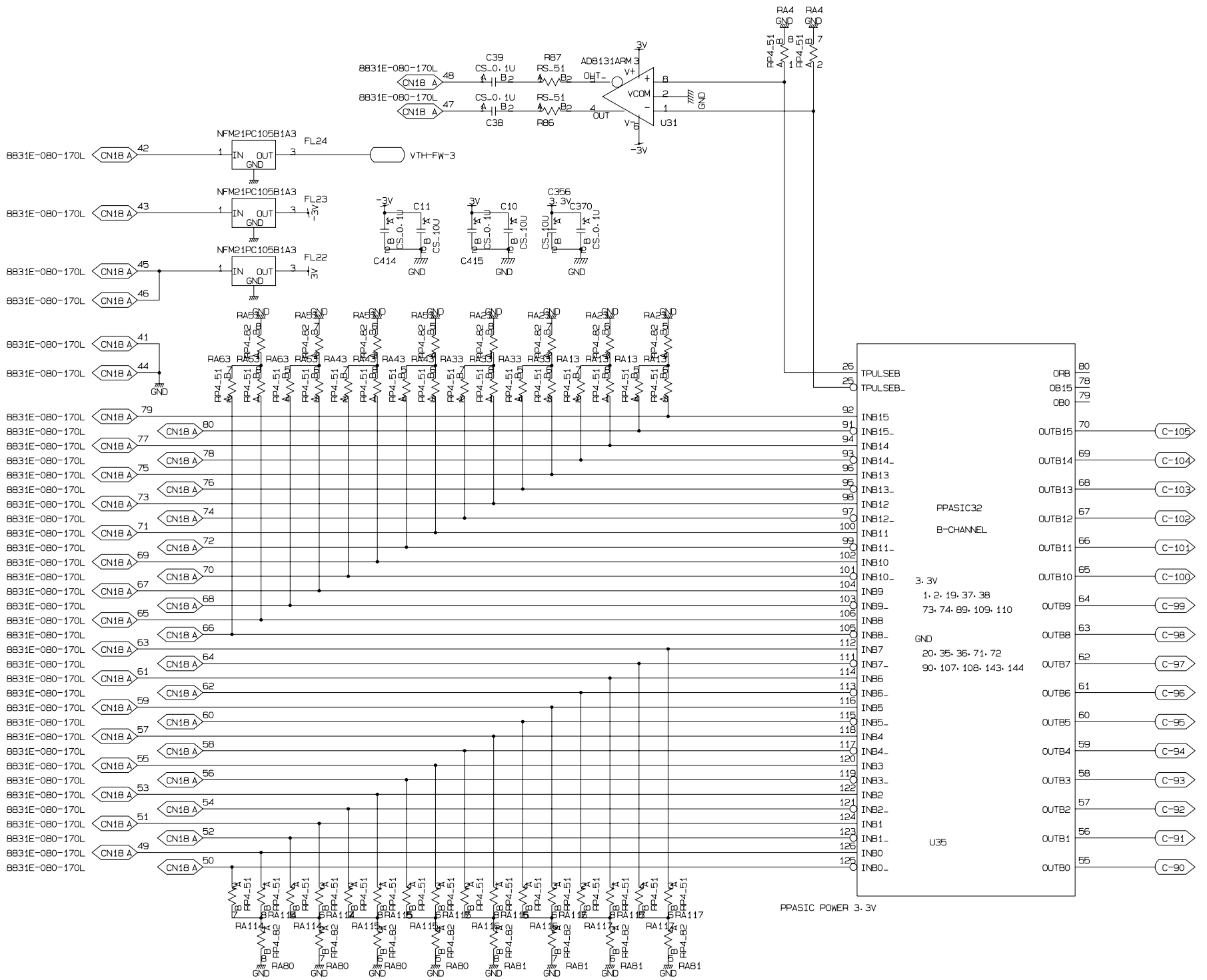
TITLE	FT0 PS-Board	PAGE
DATE & REV	2005-04-30	3
DESIGNED BY	KEK SASAKI	
	FW3-3	



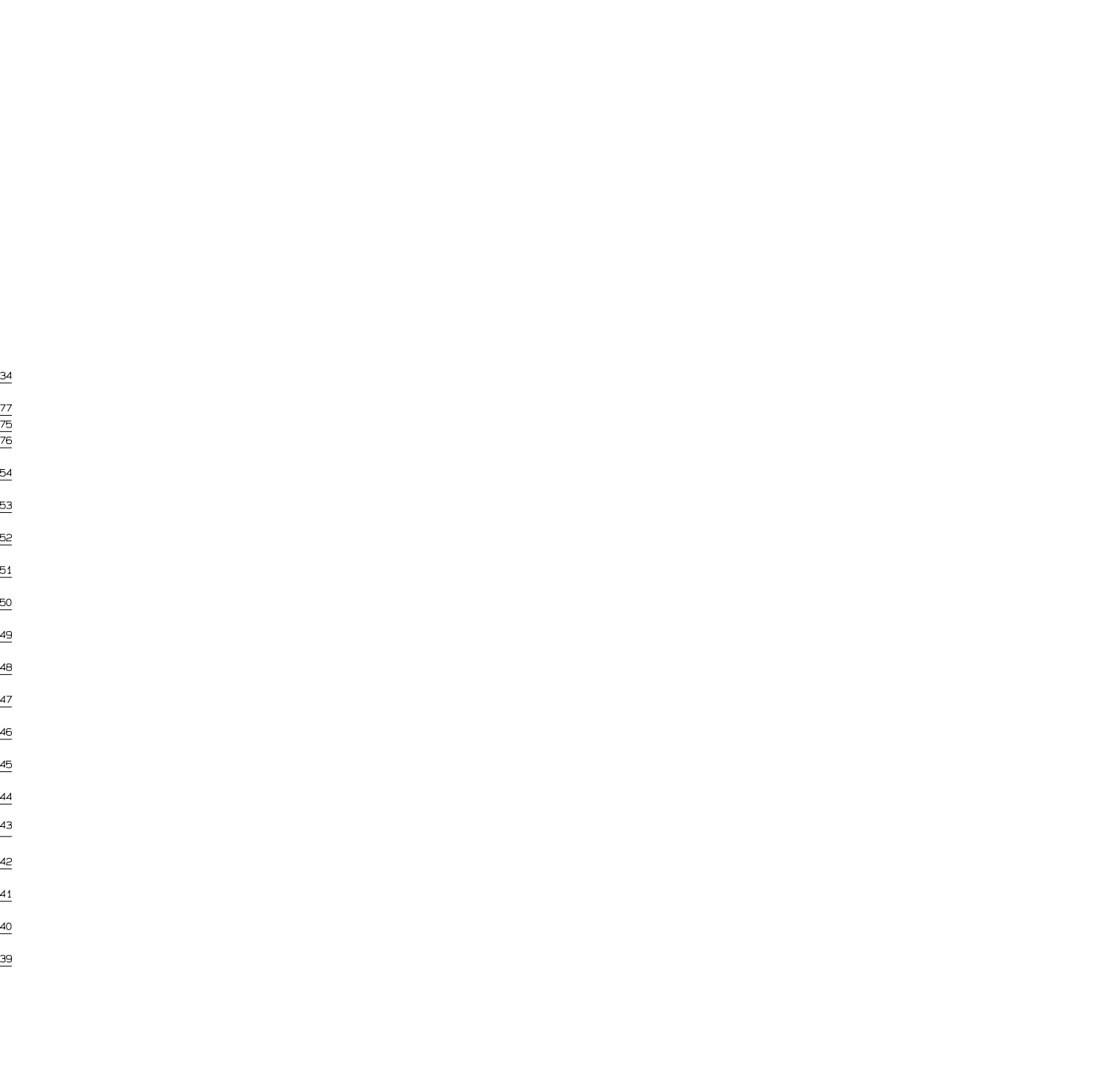
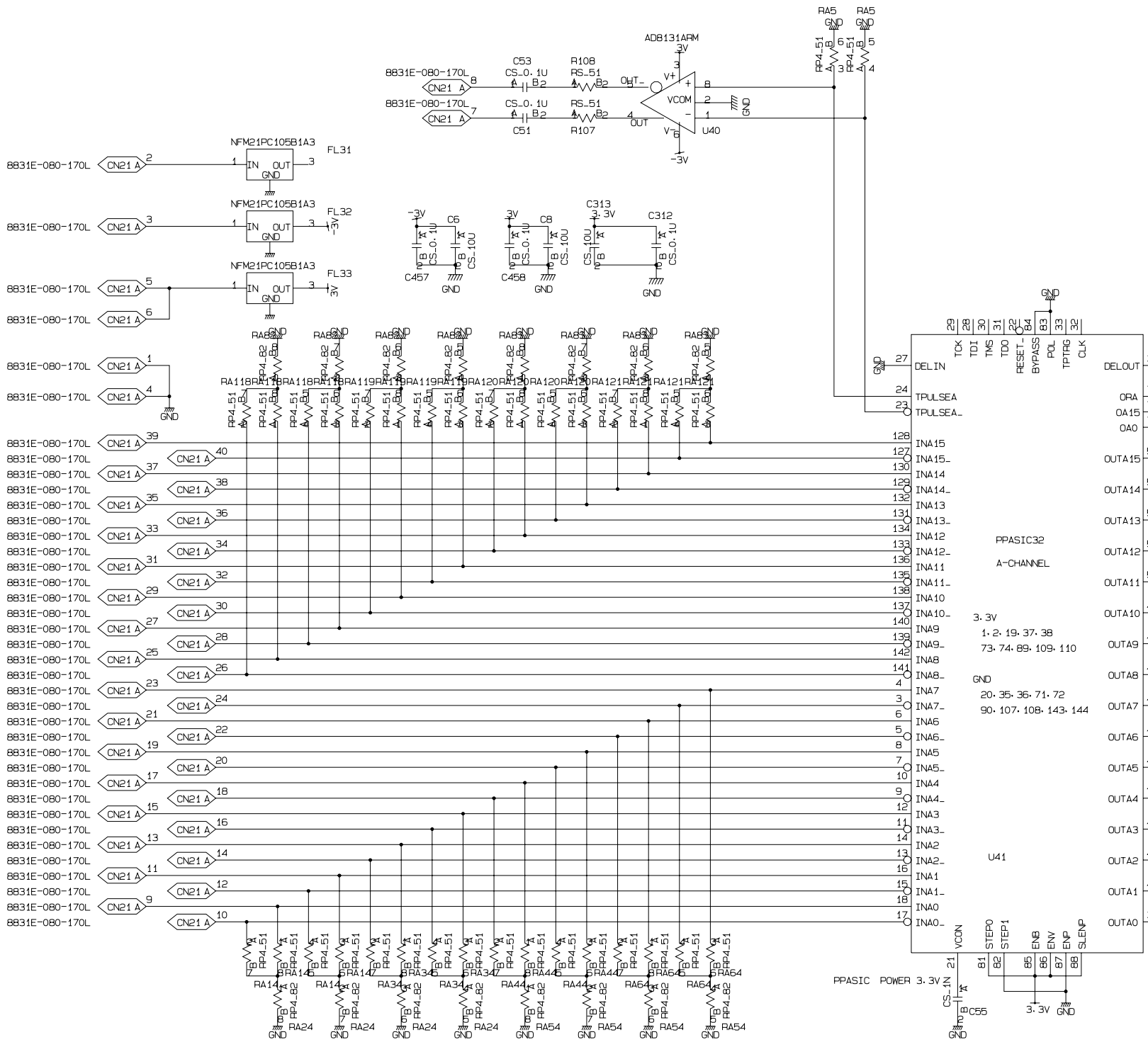
TITLE	FT0 PS-Board	PAGE
DATE & REV	2005-04-30	4
DESIGNED BY	KEK SASAKI	
	FW2-3	



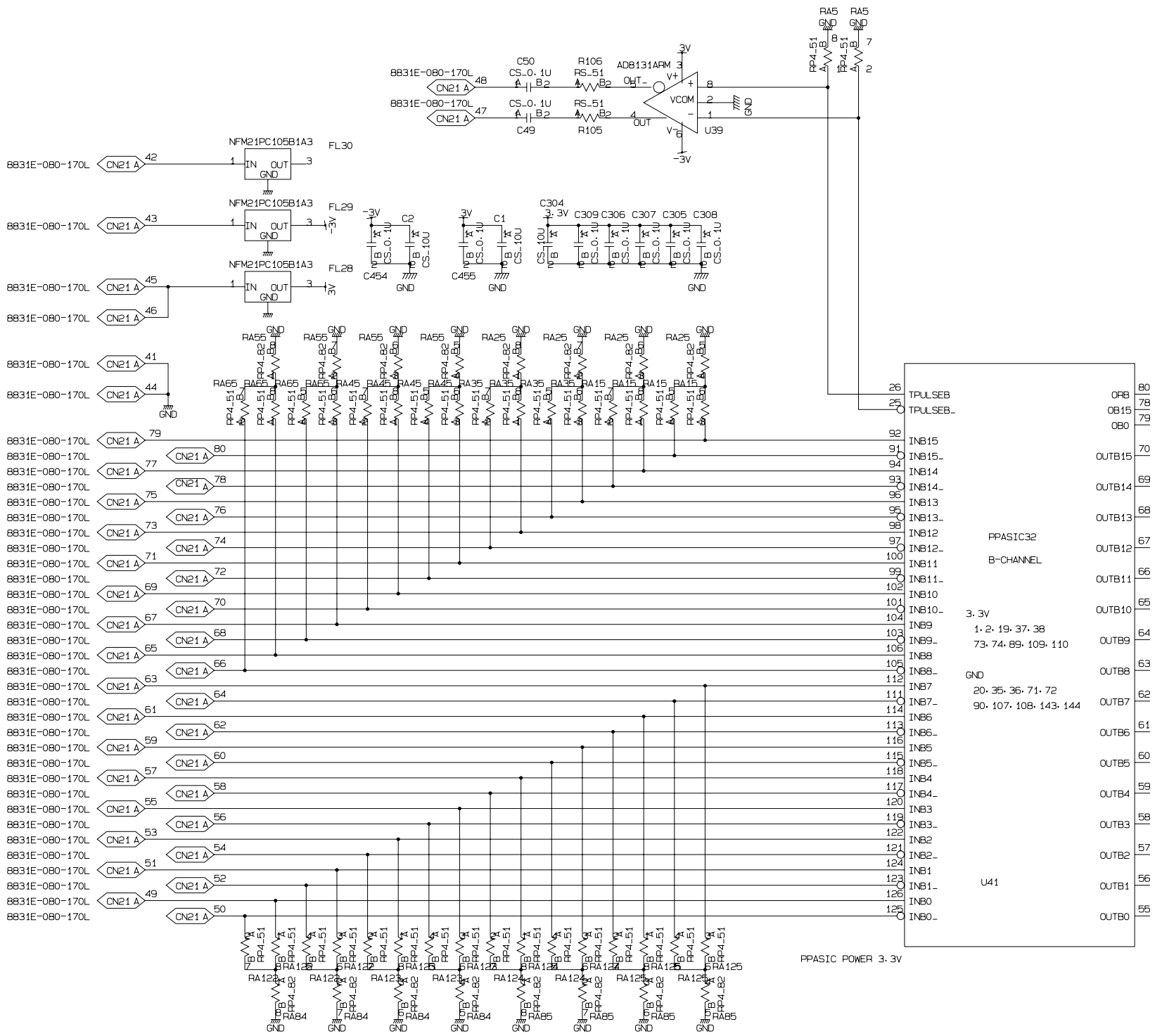
TITLE	FT0 PS-Board	PAGE
DATE & REV	2005-04-30	5
DESIGNED BY	KEK SASAKI	
	FW1-3	



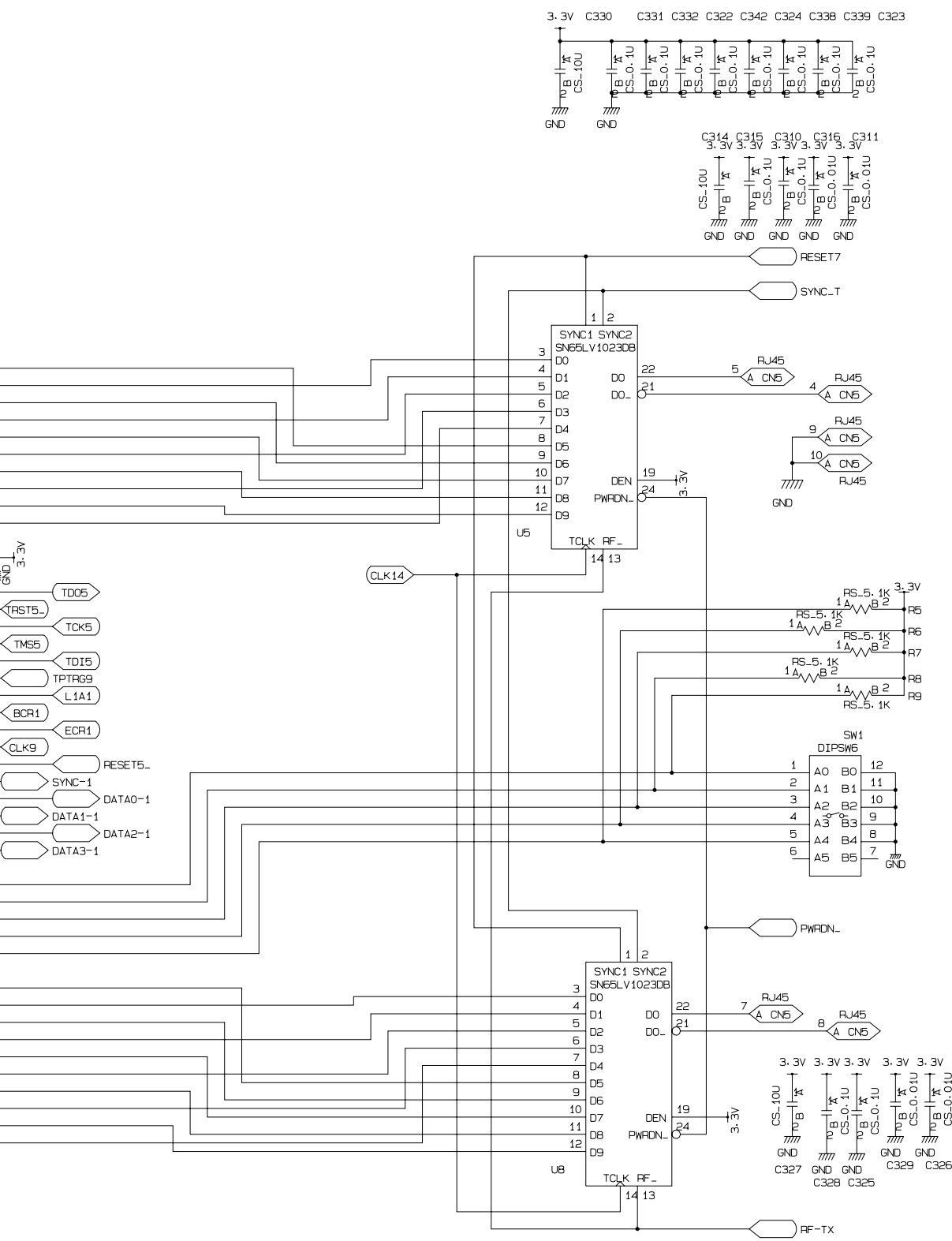
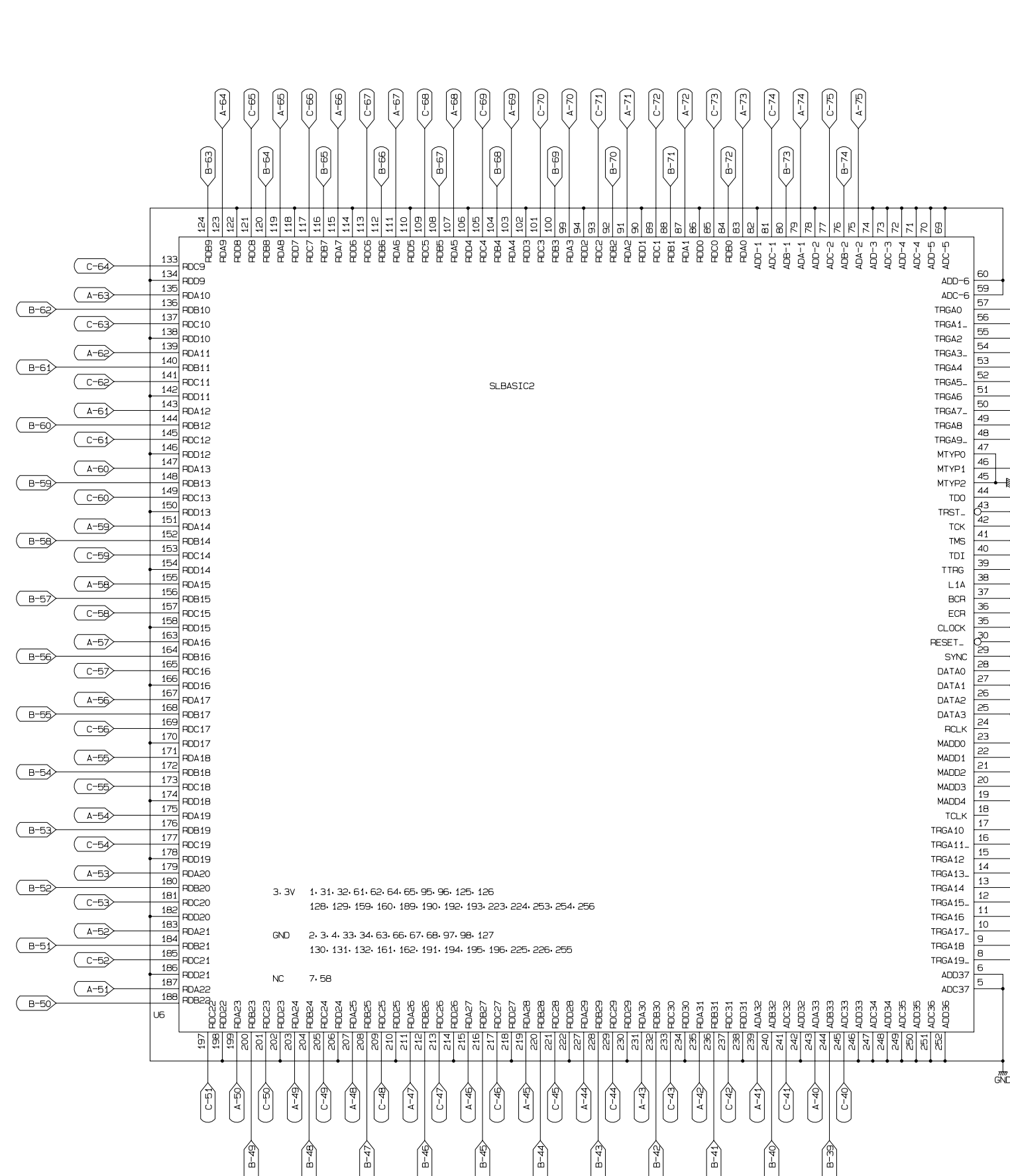
TITLE	FT0 PS-Board	PAGE
DATE & REV	2005-04-30	6
DESIGNED BY	KEK SASAKI	
	FW0-3	



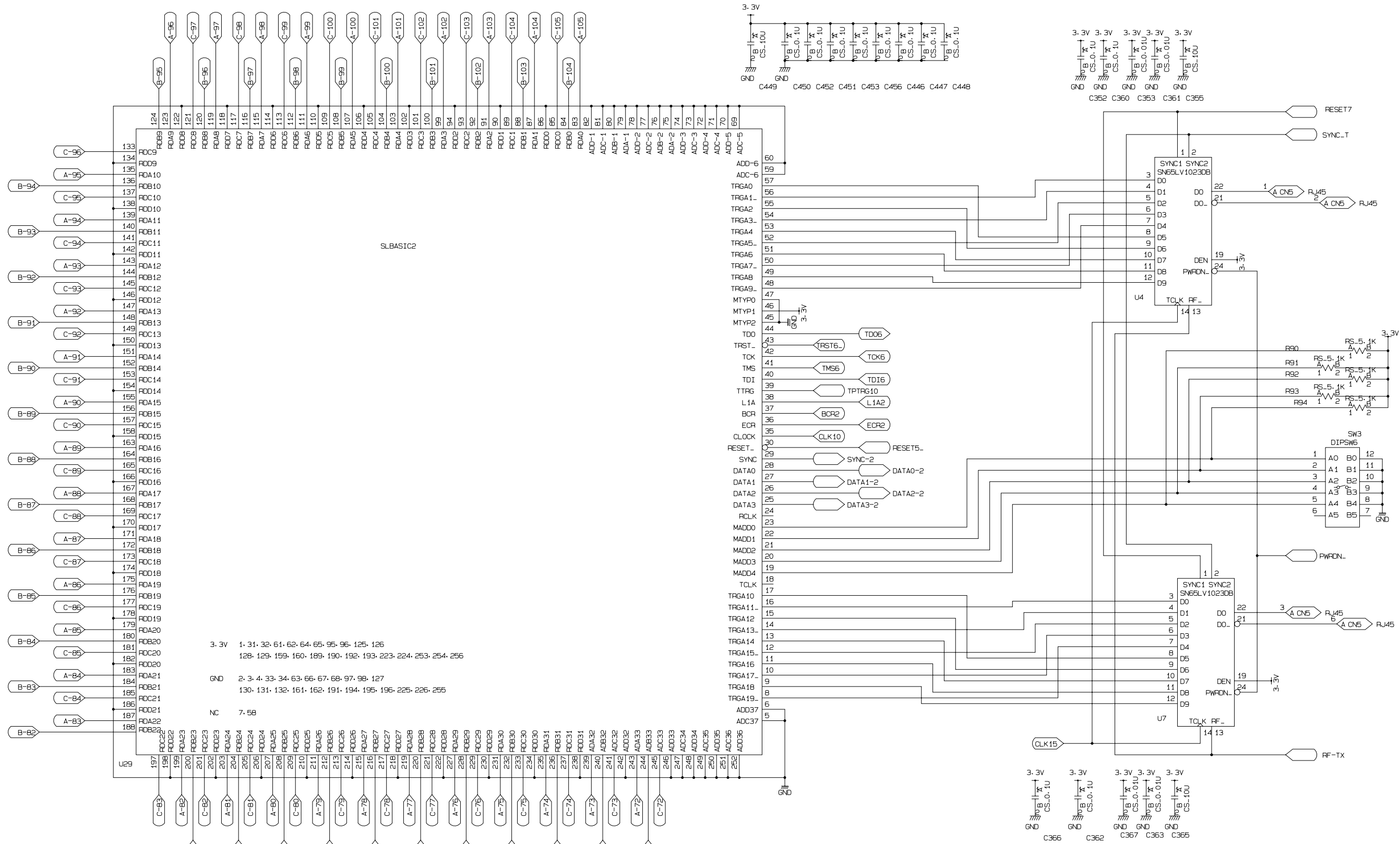
TITLE	FT0 PS-Board	PAGE
DATE & REV	2005-04-30	7
DESIGNED BY	KEK SASAKI	
	NC	



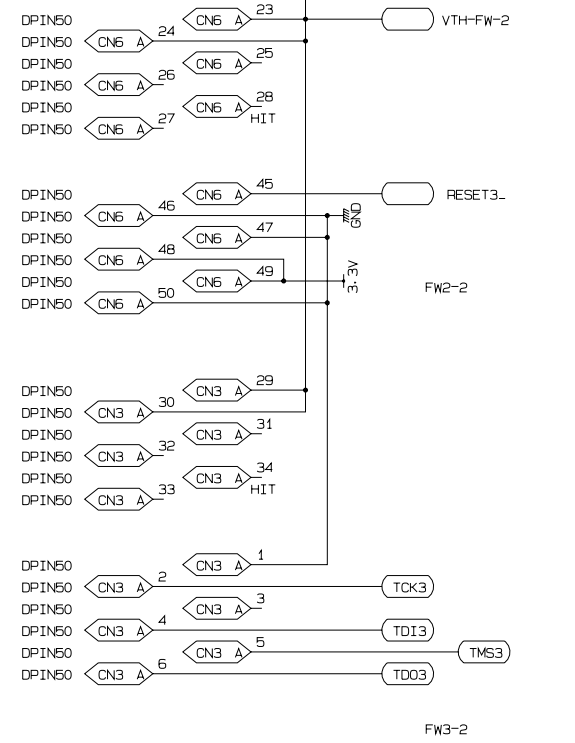
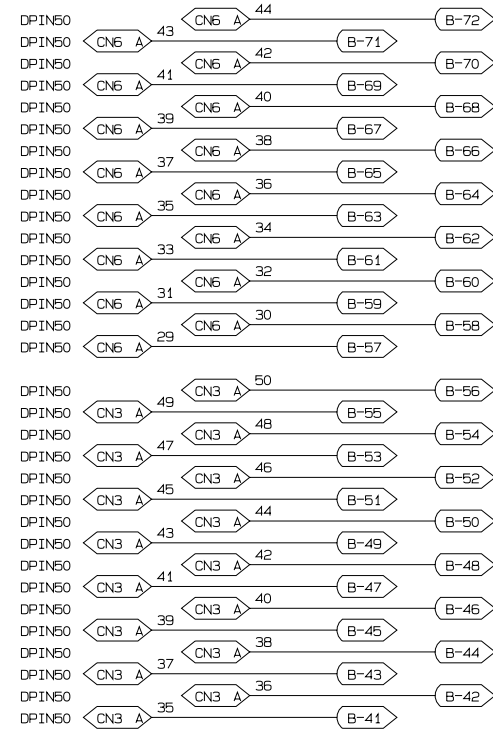
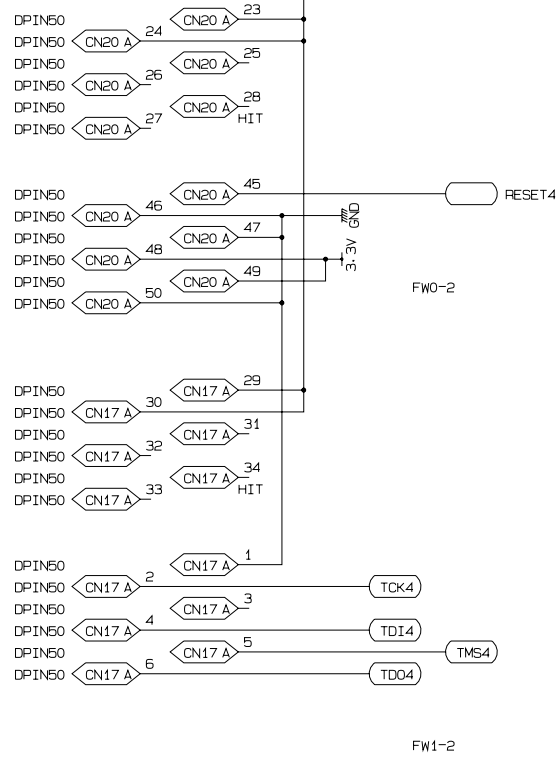
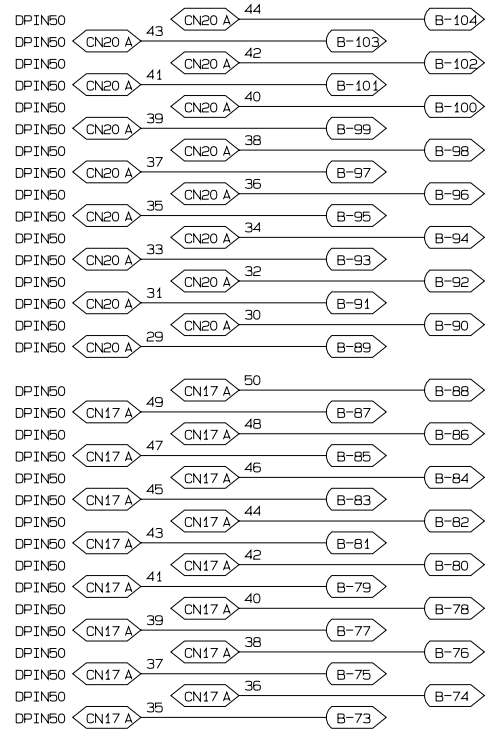
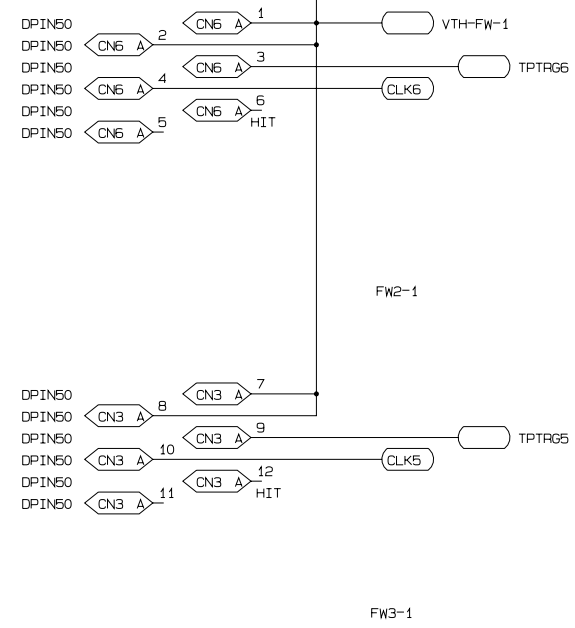
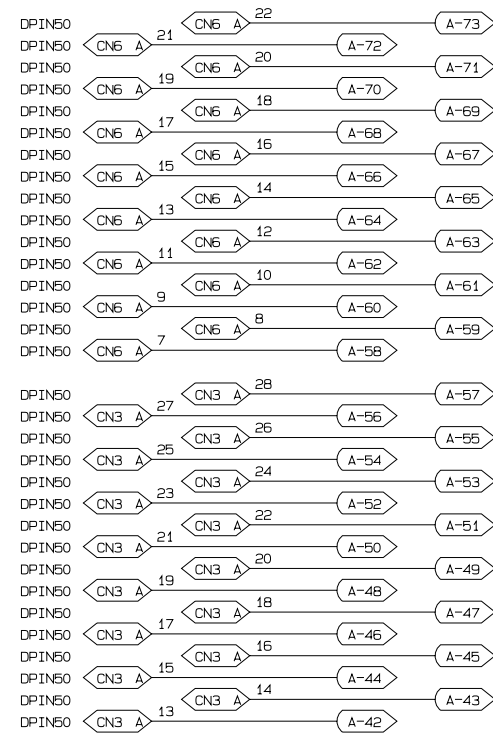
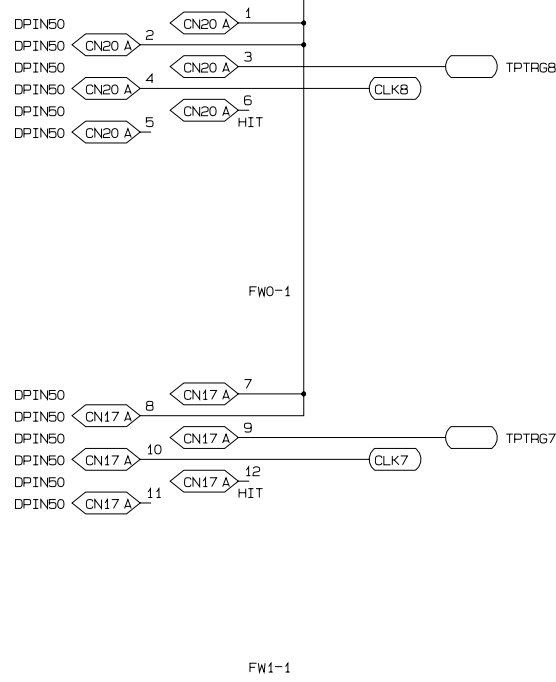
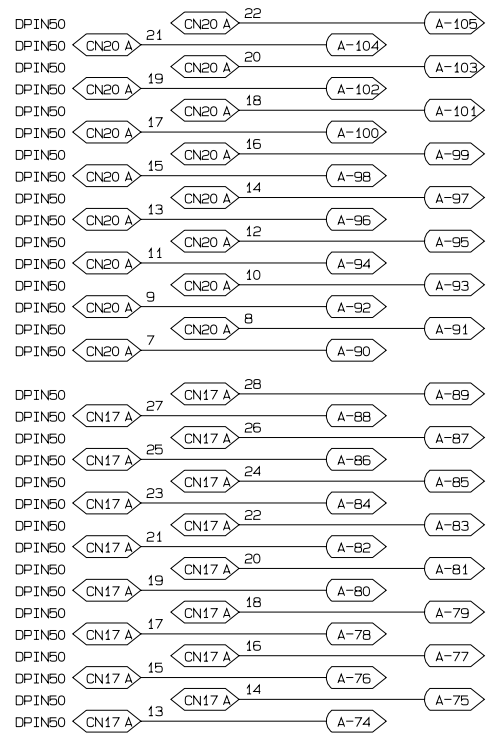
TITLE	FT0 PS-Board	PAGE
DATE & REV	2005-04-30	8
DESIGNED BY	KEK SASAKI	
	NC	



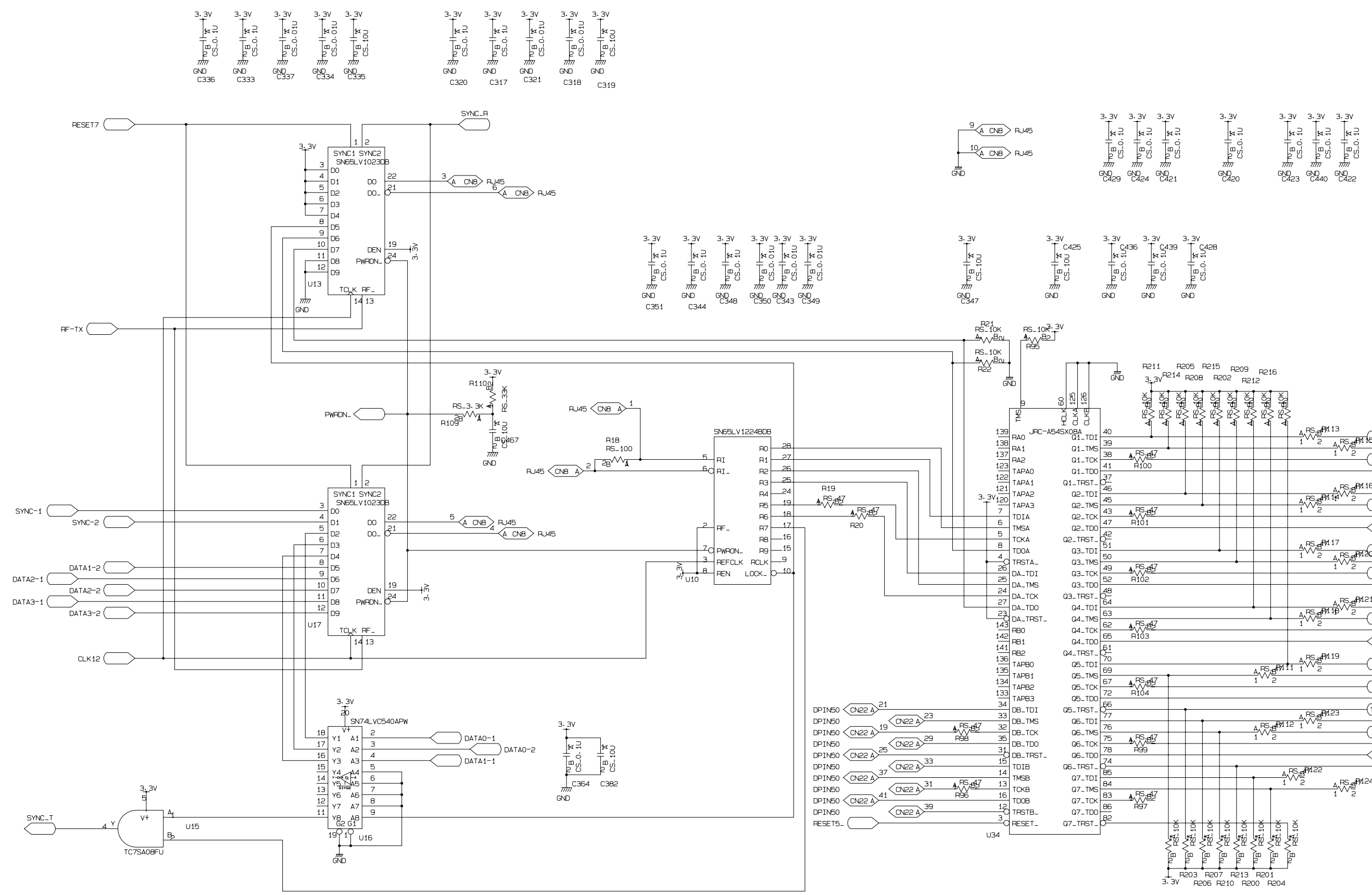
TITLE	FT0 PS-Board	PAGE
DATE & REV	2005-04-30	9
DESIGNED BY	KEK SASAKI	
	SLB1	



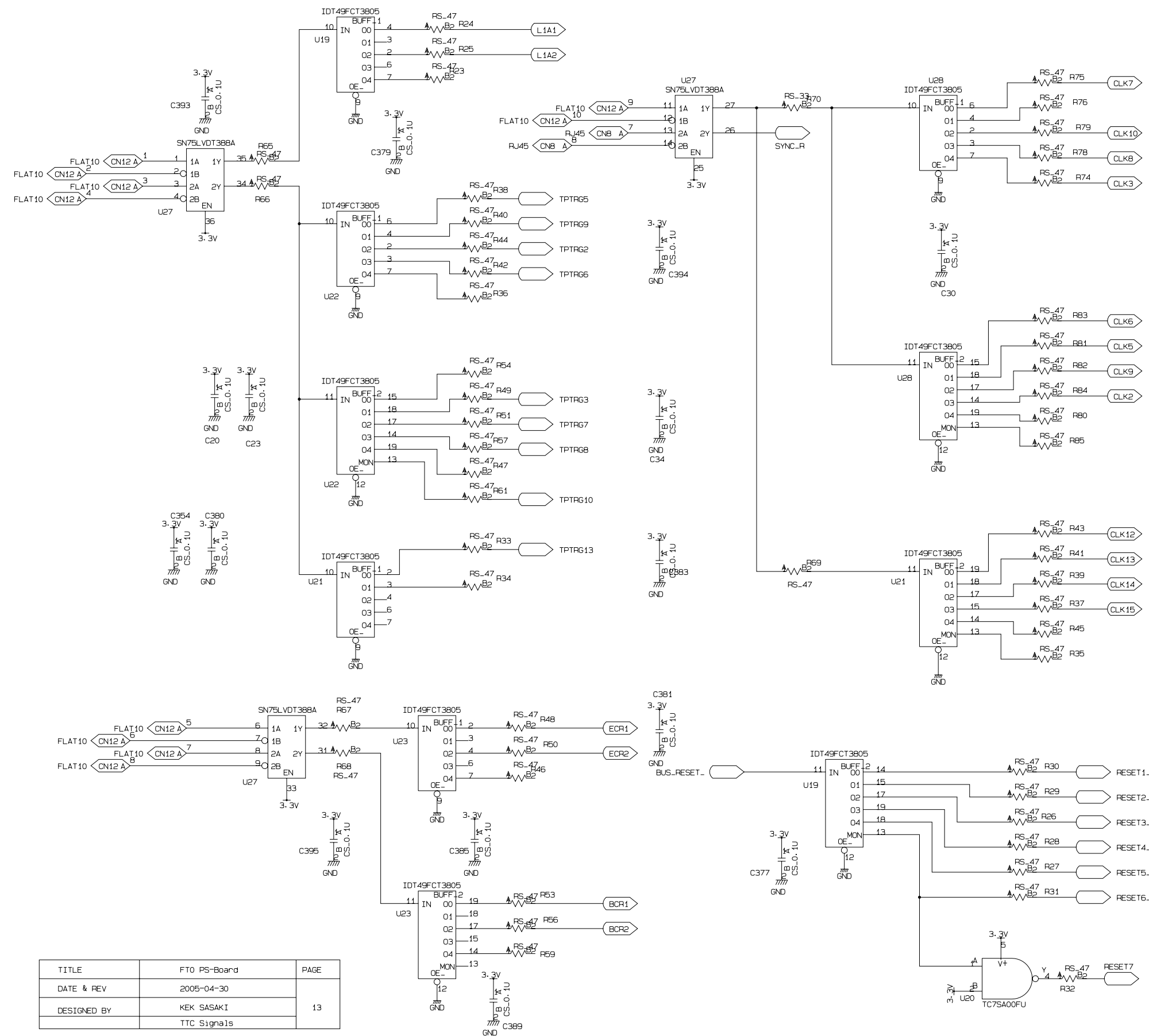
TITLE	FT0 PS-Board	PAGE
DATE & REV	2005-04-30	10
DESIGNED BY	KEK SASAKI	
	SLBO	



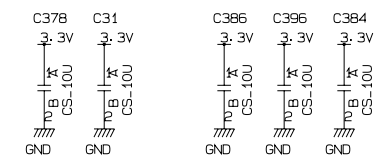
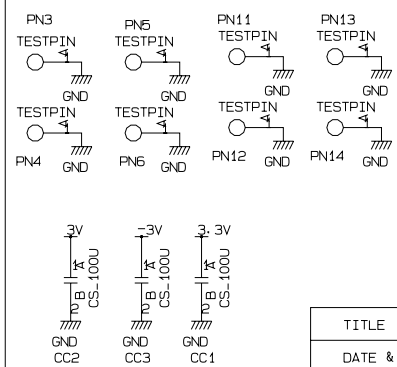
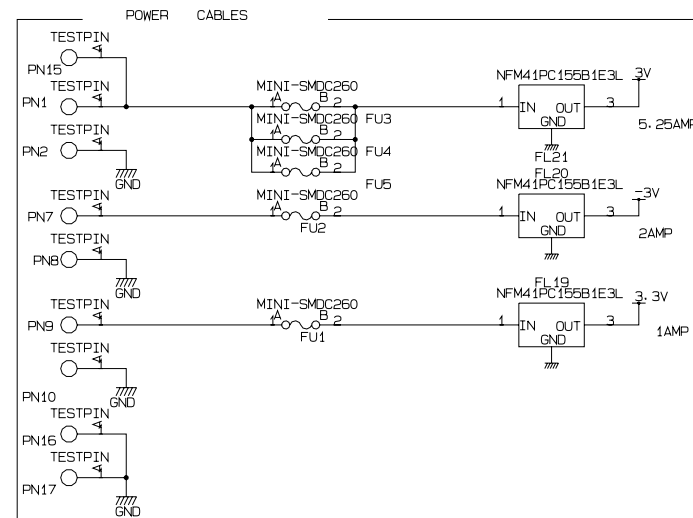
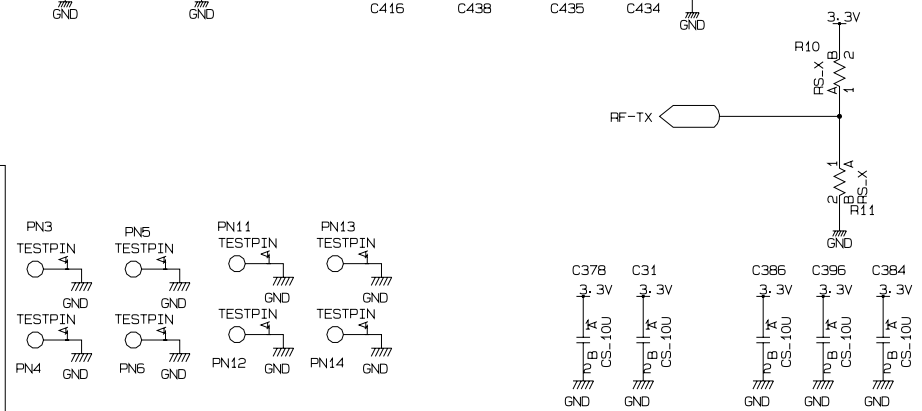
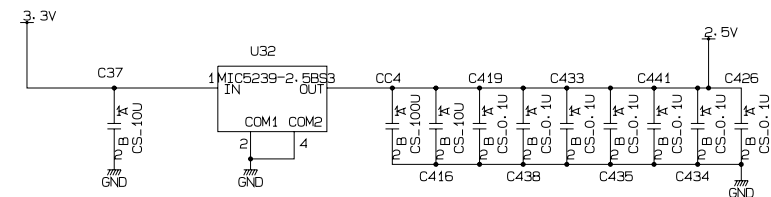
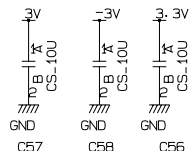
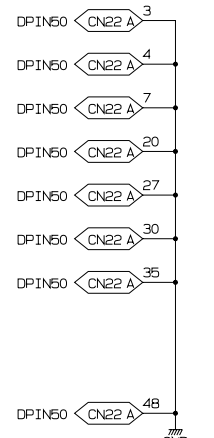
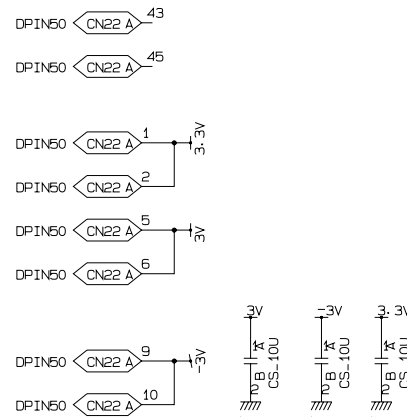
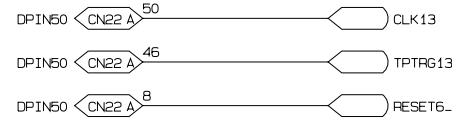
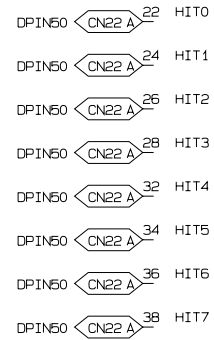
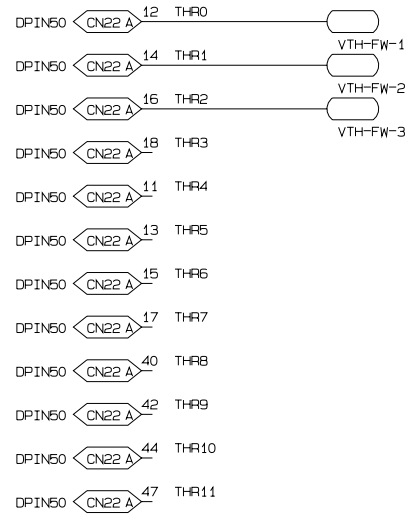
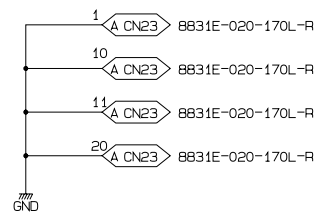
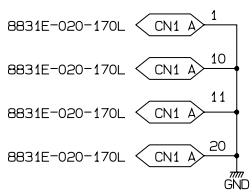
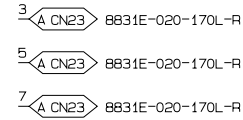
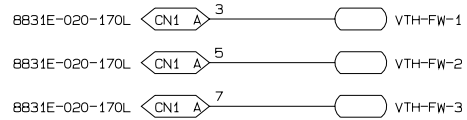
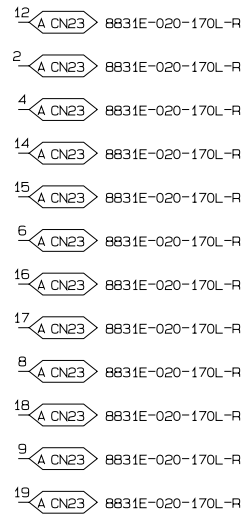
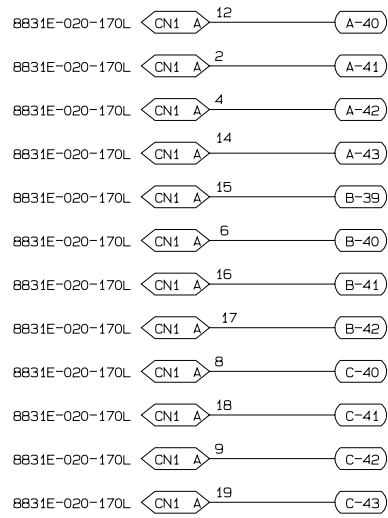
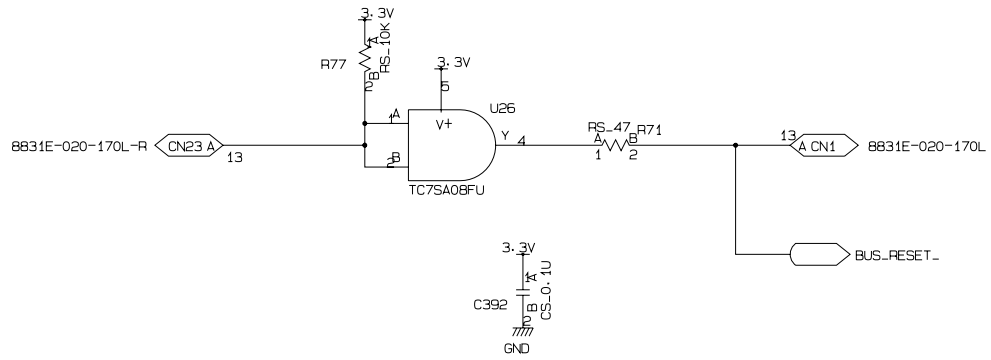
TITLE	FTO PS-Board	PAGE
DATE & REV	2005-04-30	11
DESIGNED BY	KEK SASAKI	
	Daughter Board	



TITLE	FT0 PS-Board	PAGE
DATE & REV	2005-04-30	12
DESIGNED BY	KEK SASAKI	
	Readout/Control	



TITLE	FT0 PS-Board	PAGE
DATE & REV	2005-04-30	13
DESIGNED BY	KEK SASAKI	
	TTC Signals	



TITLE	F70 PS-Board	PAGE
DATE & REV	2005-04-30	14
DESIGNED BY	KEK SASAKI	
Power, adjacent signals and DCS		