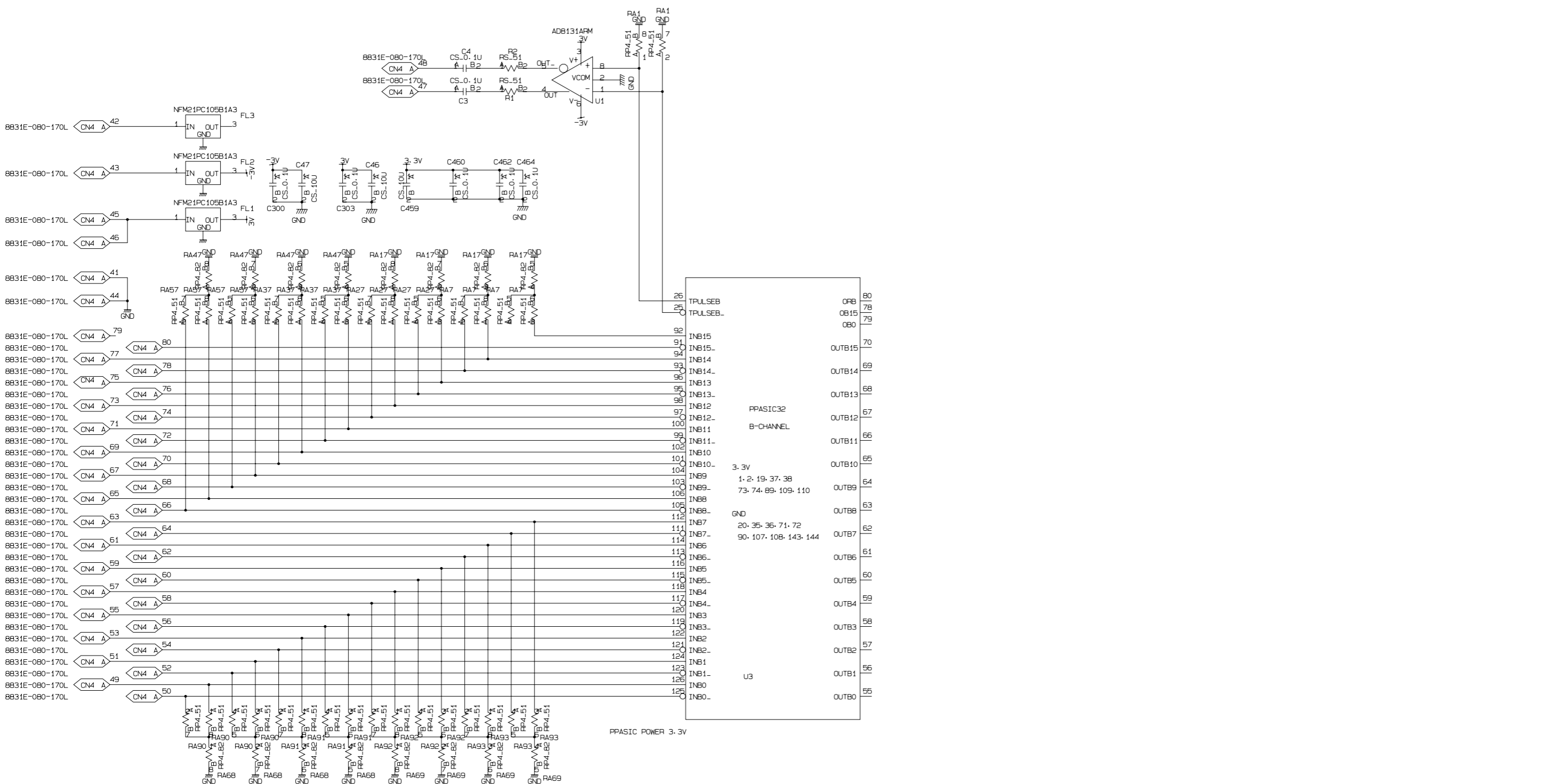
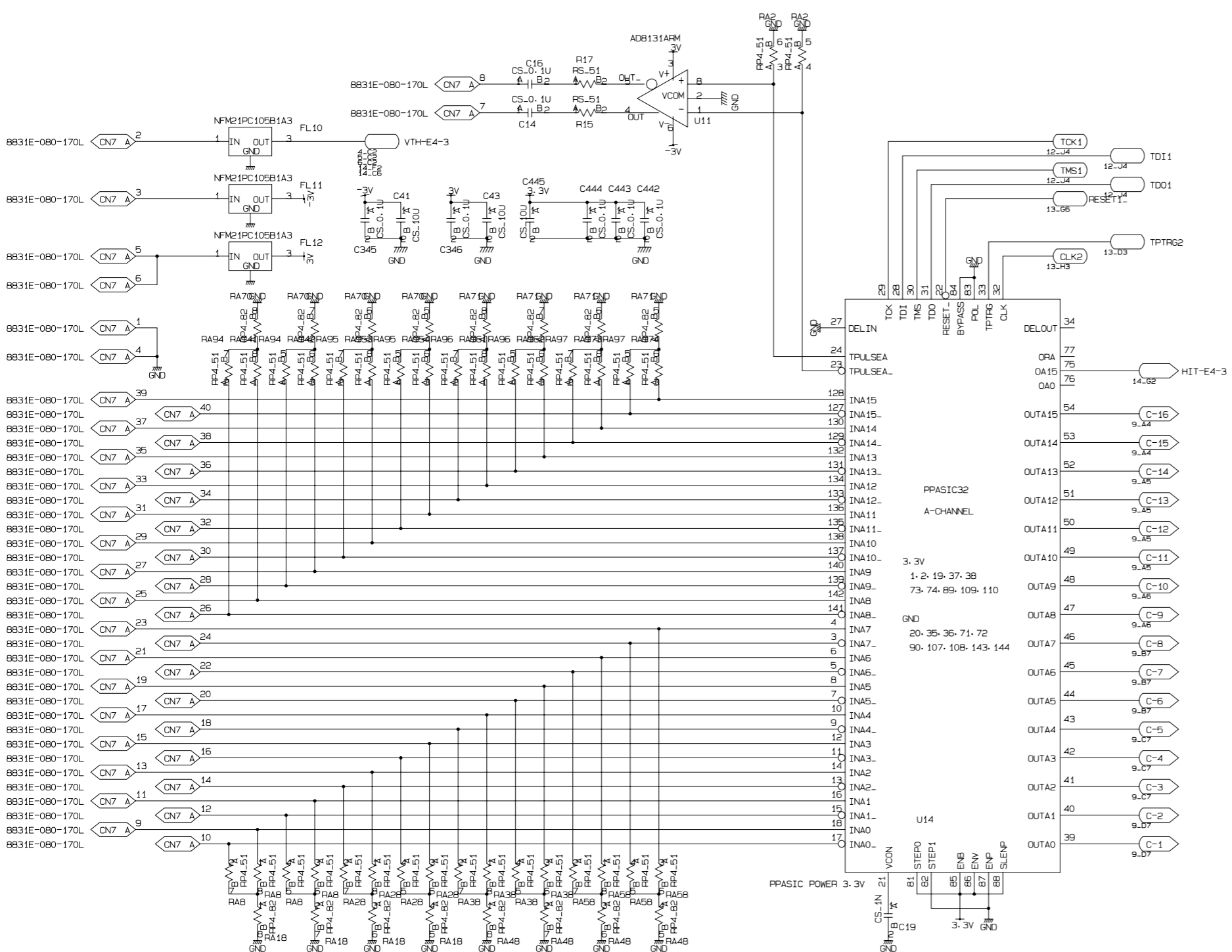


EWT2 PWD=GN-04205-1

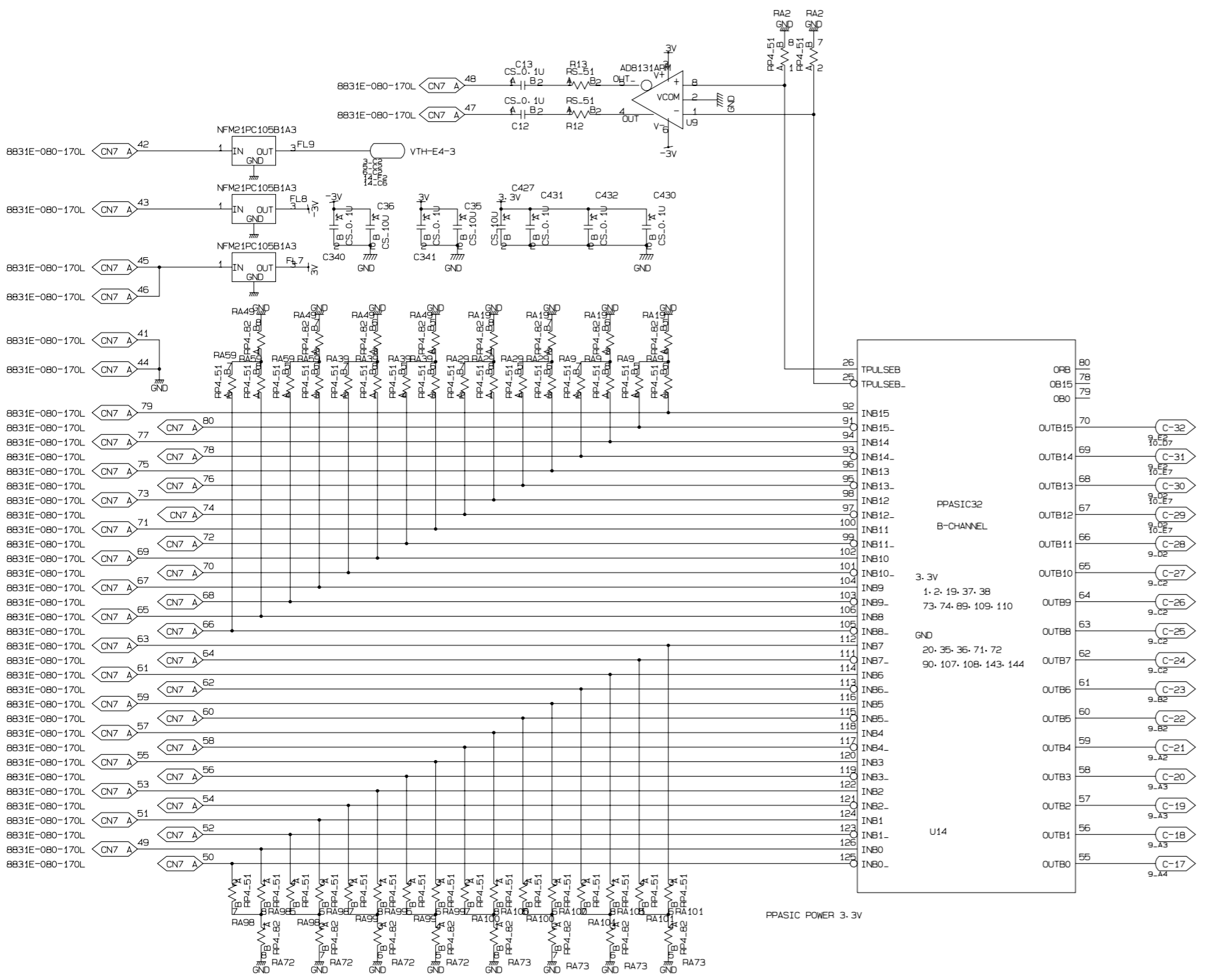
TITLE	EWT2 PS-Board	PAGE
DATE & REV	2005-04-30	1
DESIGNED BY	KEK SASAKI	
	NC	



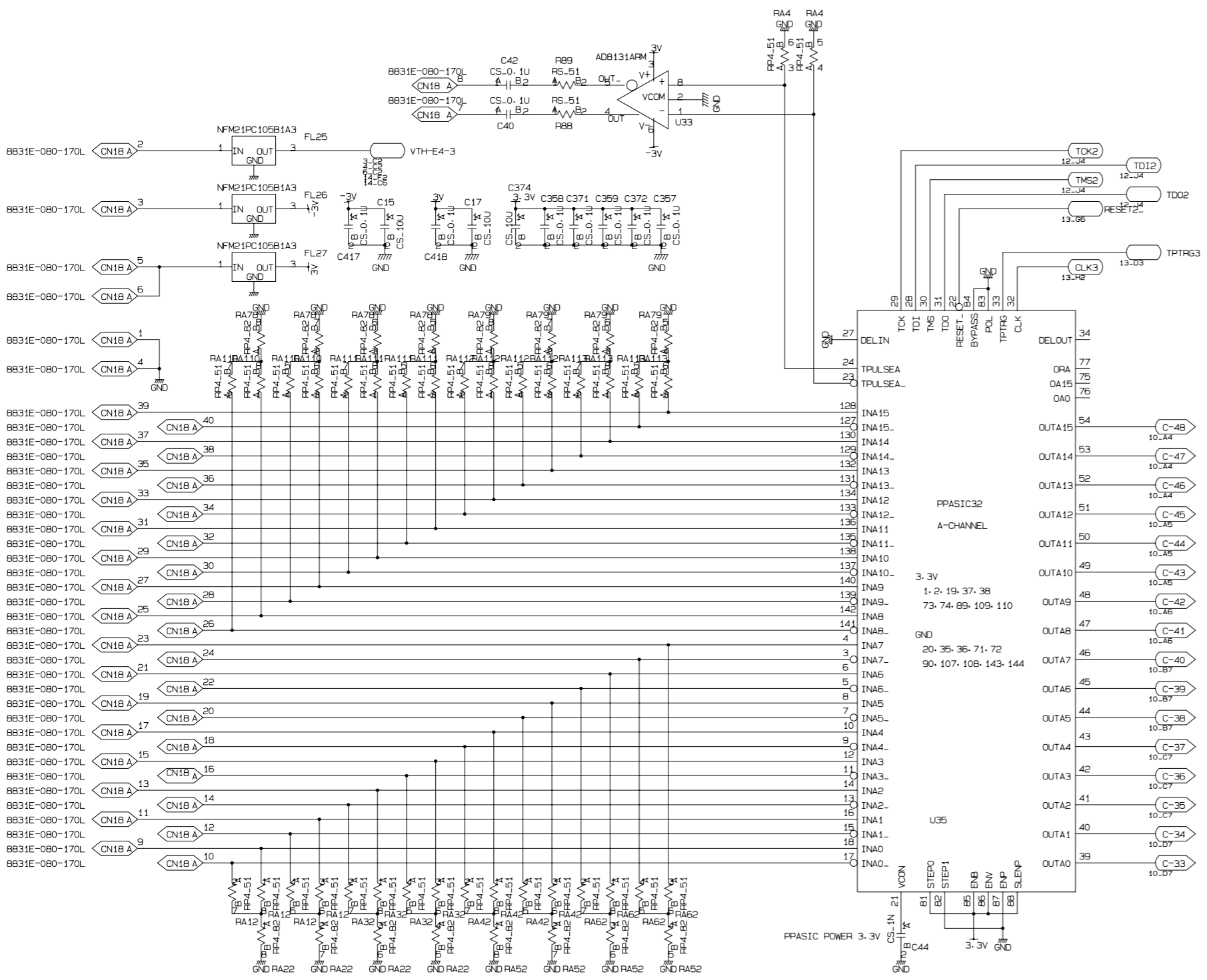
TITLE	EWT2 PS-board	PAGE
DATE & REV	2005-04-30	2
DESIGNED BY	KEK SASAKI	
	NC	



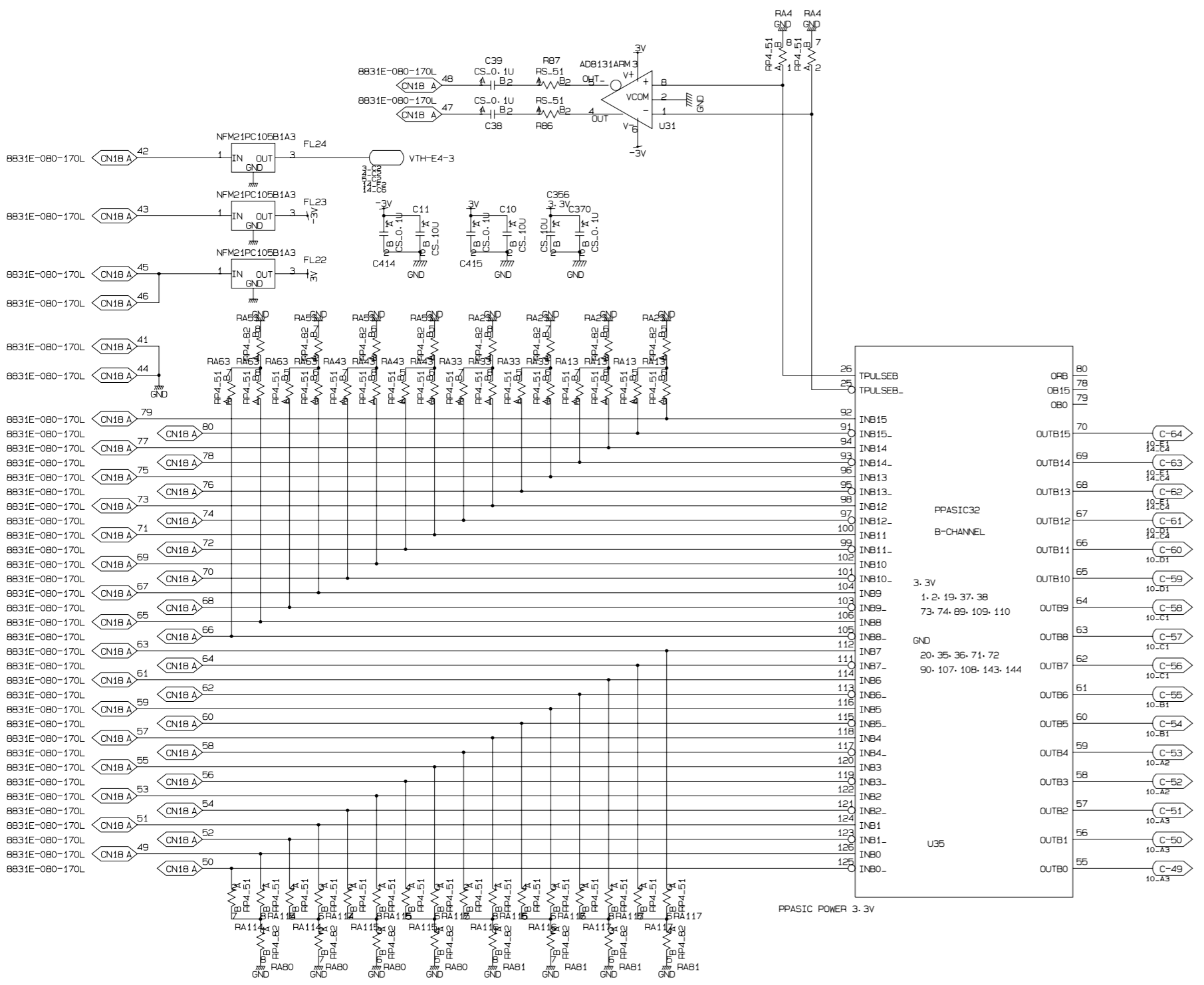
TITLE	EWT2 PS-Board	PAGE
DATE & REV	2005-04-30	3
DESIGNED BY	KEK SASAKI	
	EW13-3	



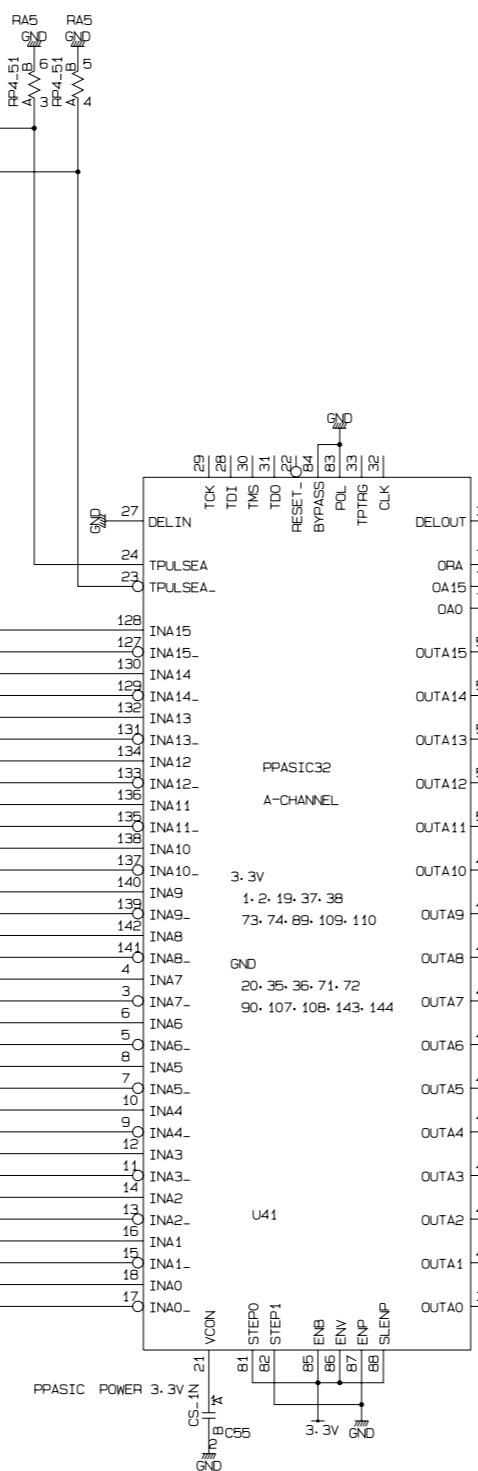
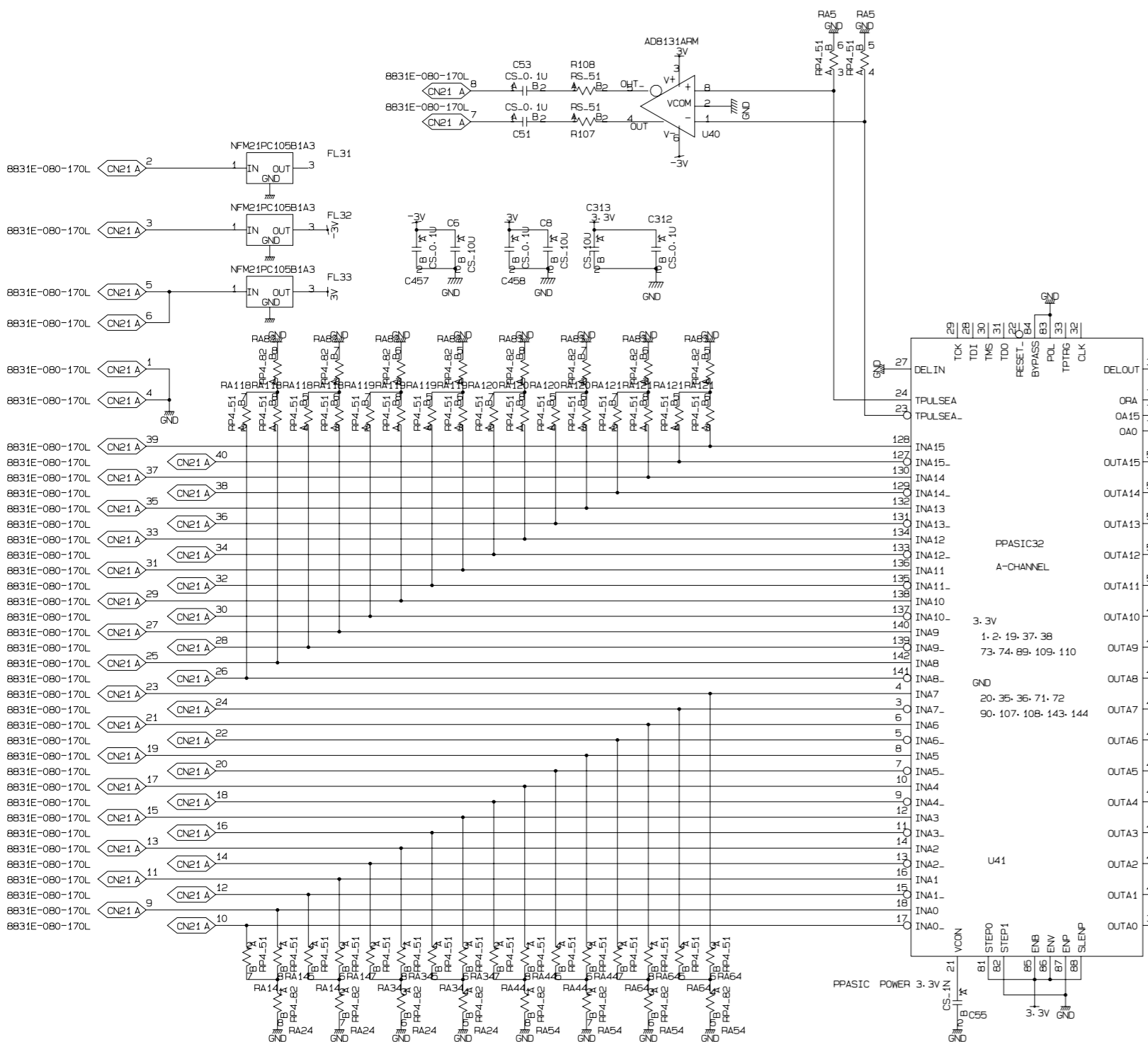
TITLE	EWT2 PS-Board	PAGE
DATE & REV	2005-04-30	4
DESIGNED BY	KEK SASAKI	
	EW12-3	



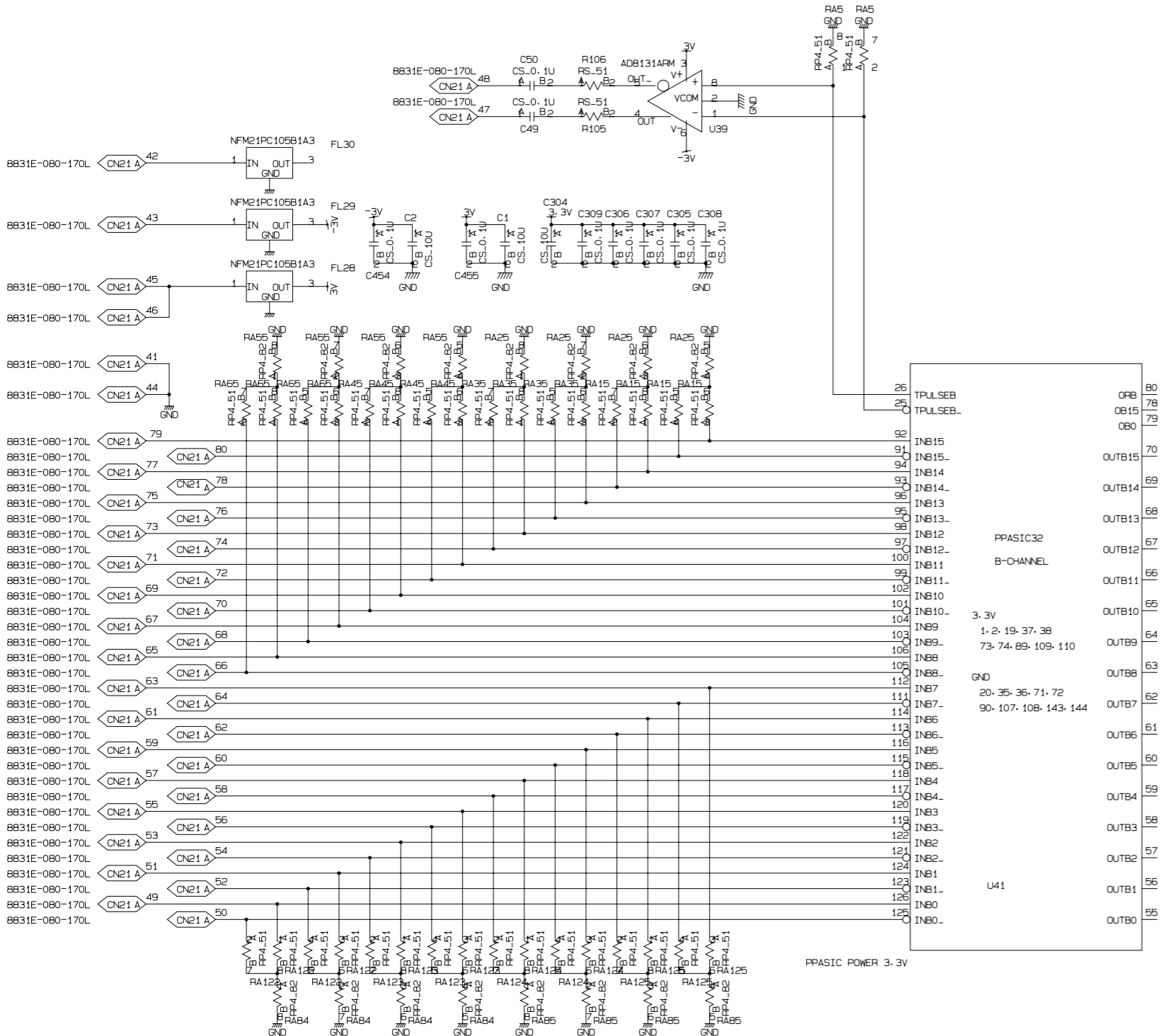
TITLE	EWT2 PS-Board	PAGE
DATE & REV	2005-04-30	5
DESIGNED BY	KEK SASAKI	
	EW11-3	



TITLE	EWT2 PS-Board	PAGE
DATE & REV	2005-04-30	6
DESIGNED BY	KEK SASAKI	
	EW10-3	



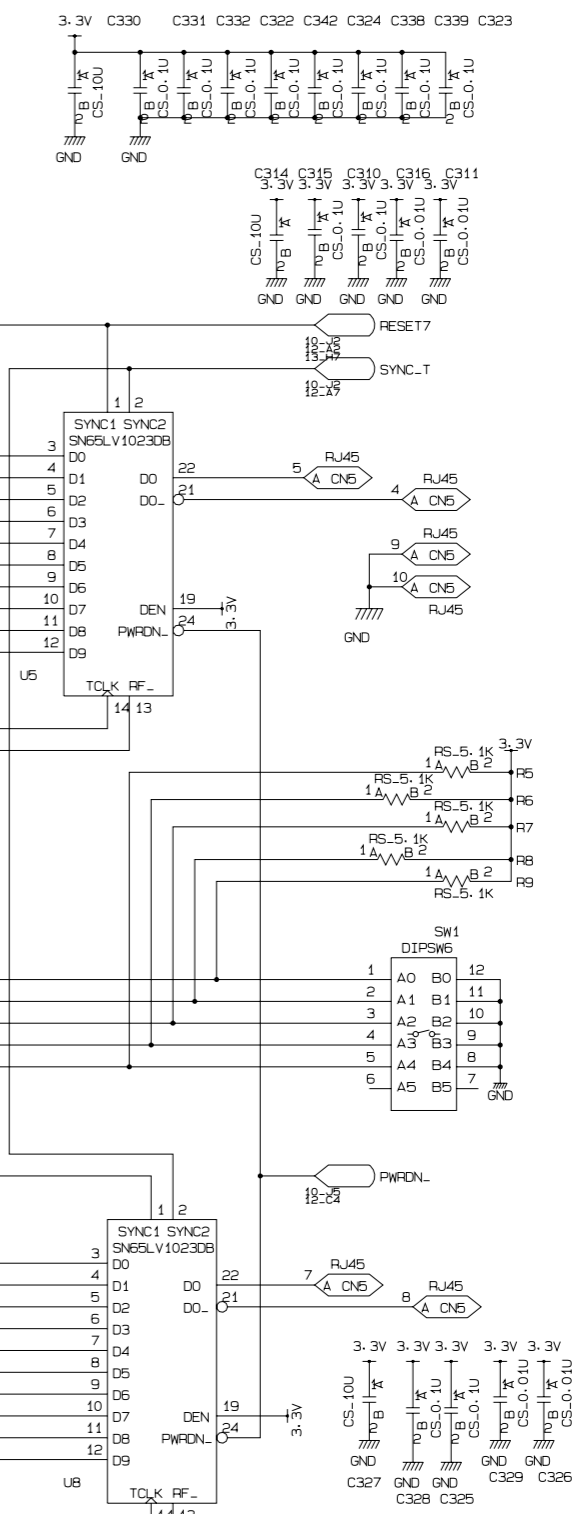
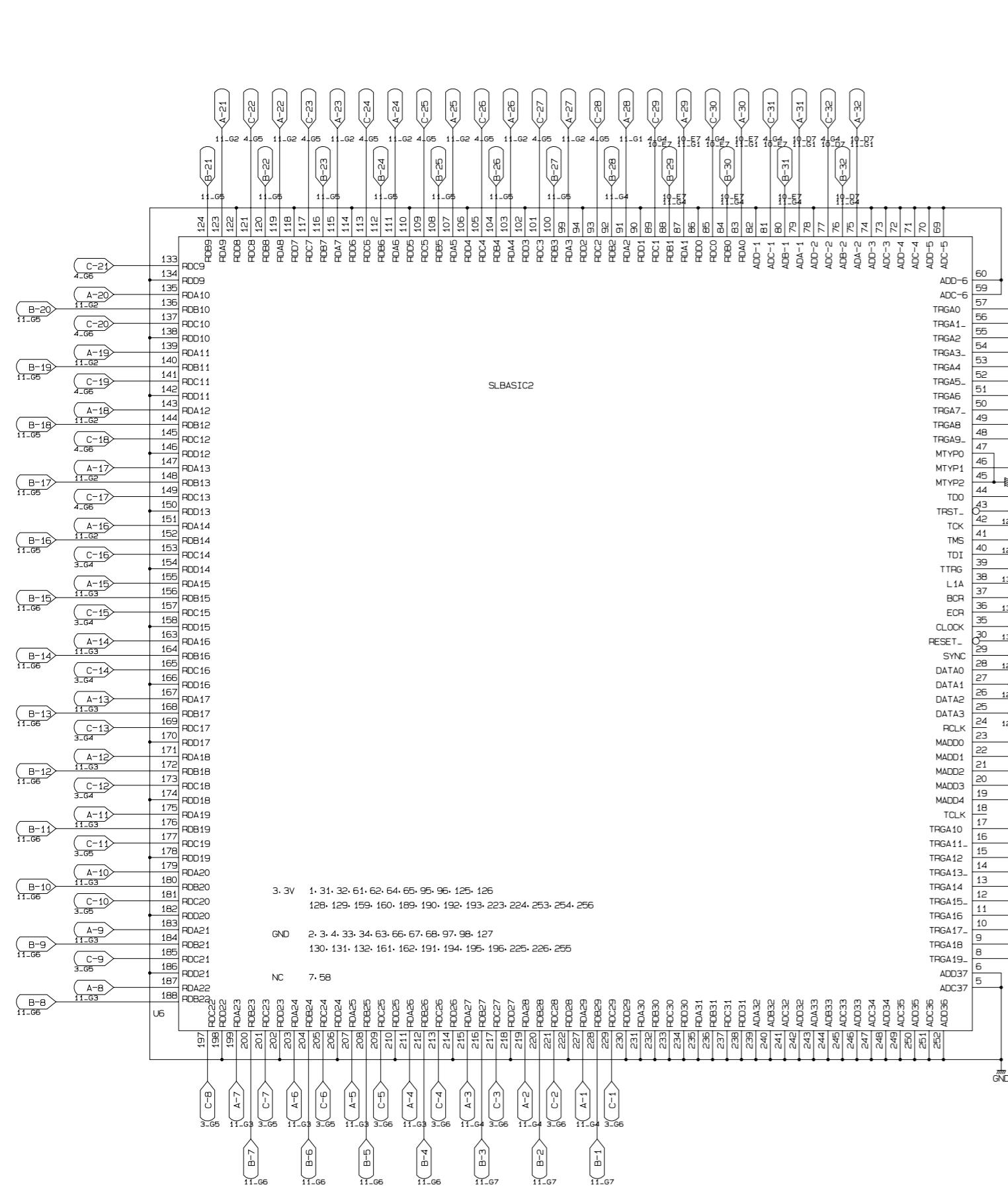
TITLE	EWT2 PS-Baord	PAGE
DATE & REV	2005-04-30	7
DESIGNED BY	KEK SASAKI	
	NC	



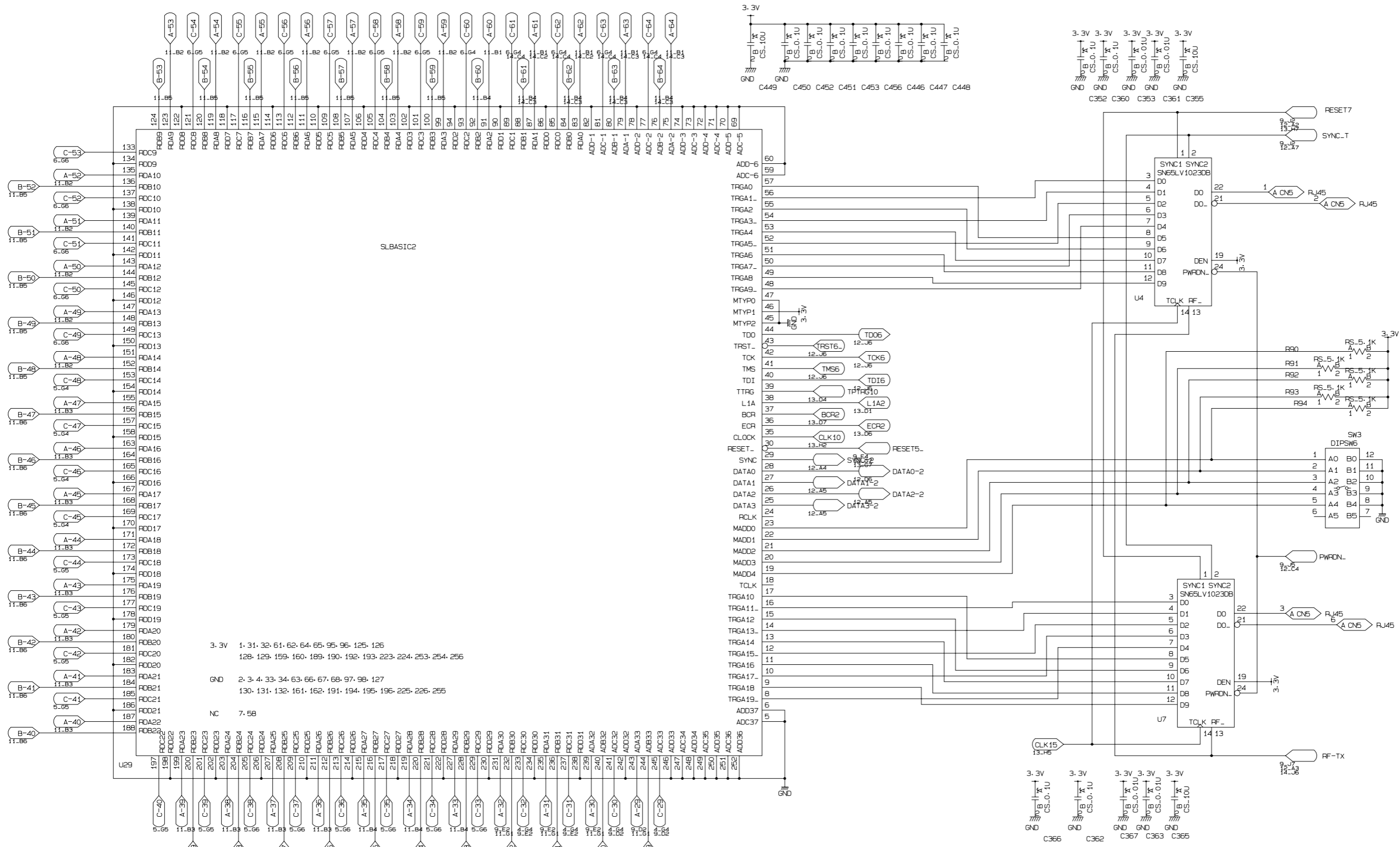
TPULSEB	0F8	80
TPULSEB	0B15	78
	0B0	79
INB15		70
INB15		70
INB14		69
INB14		69
INB13		68
INB13		68
INB12		67
INB12		67
INB11		66
INB11		66
INB10		65
INB10		65
INB9		64
INB9		64
INB8		63
INB8		63
INB7		62
INB7		62
INB6		61
INB6		61
INB5		60
INB5		60
INB4		59
INB4		59
INB3		58
INB3		58
INB2		57
INB2		57
INB1		56
INB1		56
INB0		55
INB0		55

TITLE	EWT2 PS-Board	PAGE
DATE & REV	2005-04-30	8
DESIGNED BY	KEK SASAKI	
	NC	

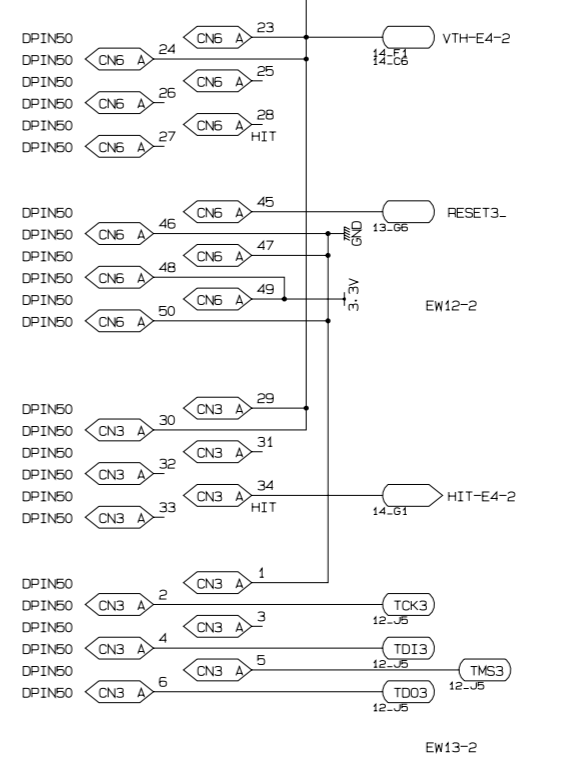
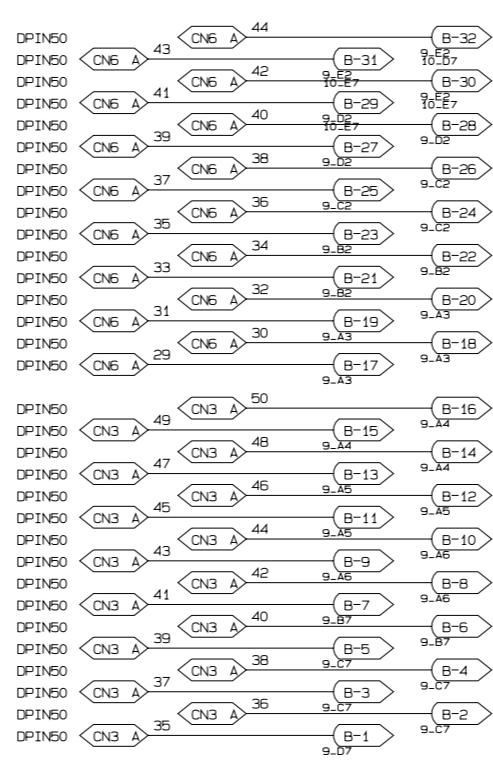
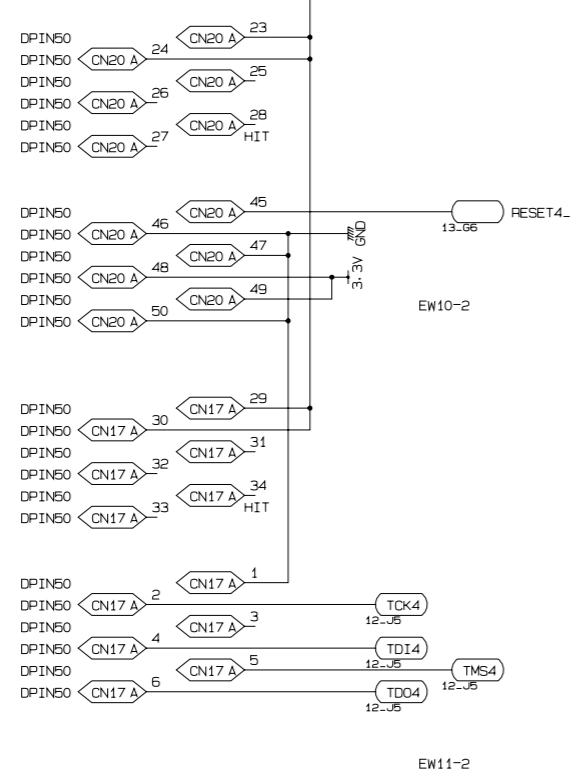
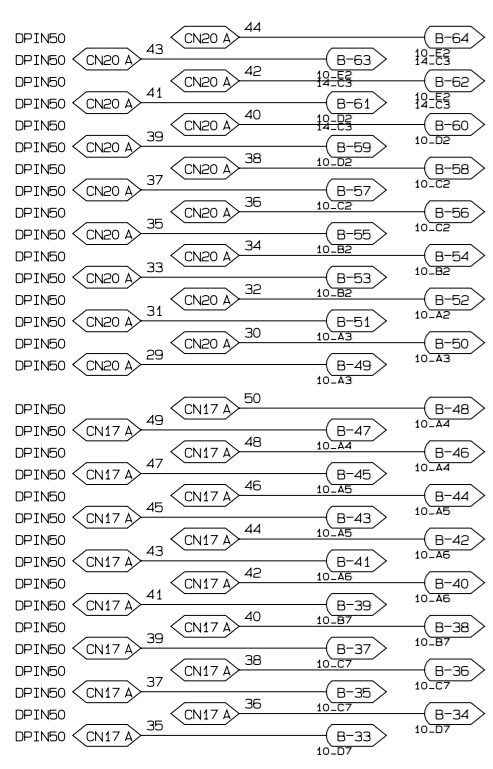
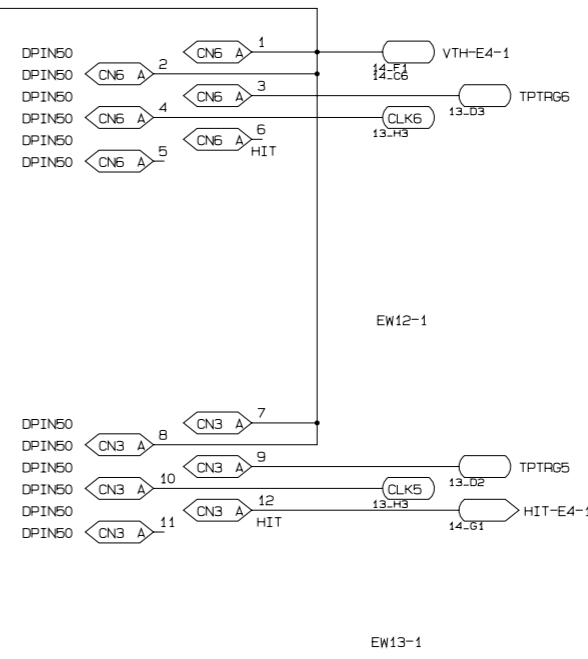
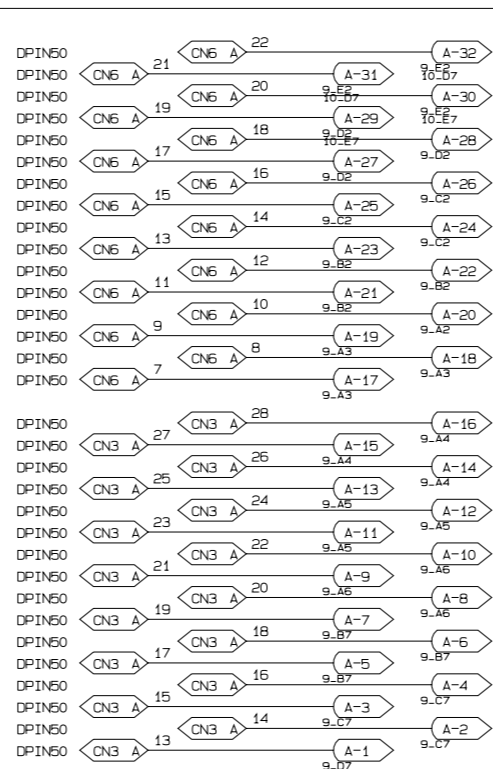
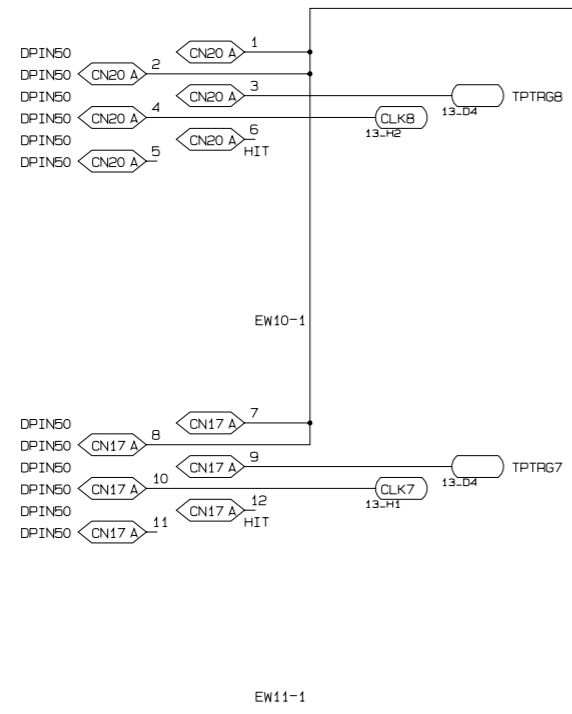
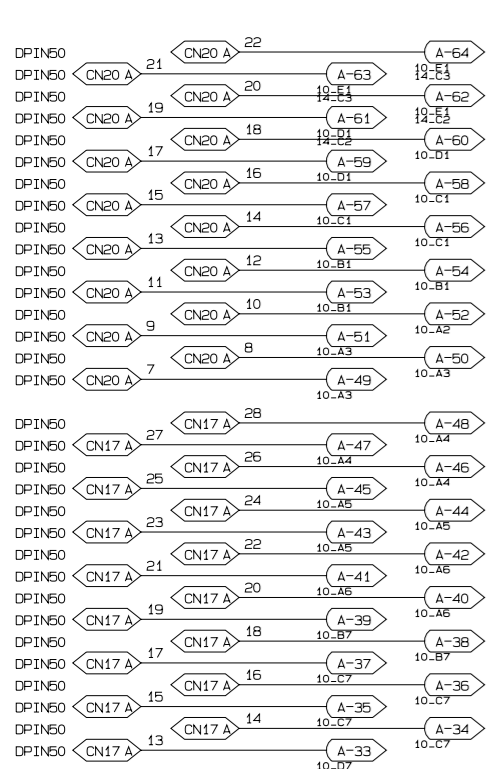




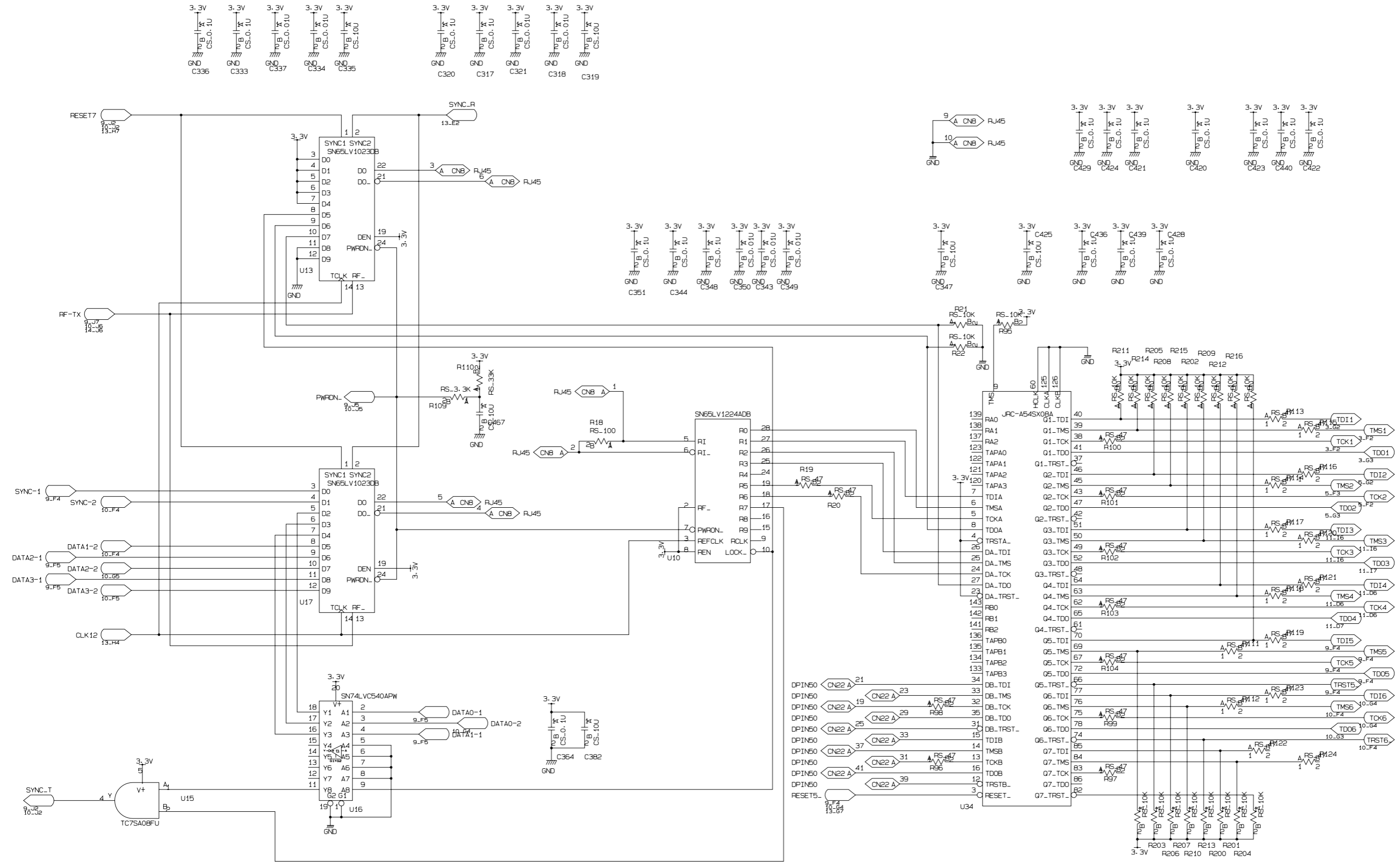
TITLE	EWT2 PS-Board	PAGE
DATE & REV	2005-04-30	9
DESIGNED BY	KEK SASAKI	
	SLB6	



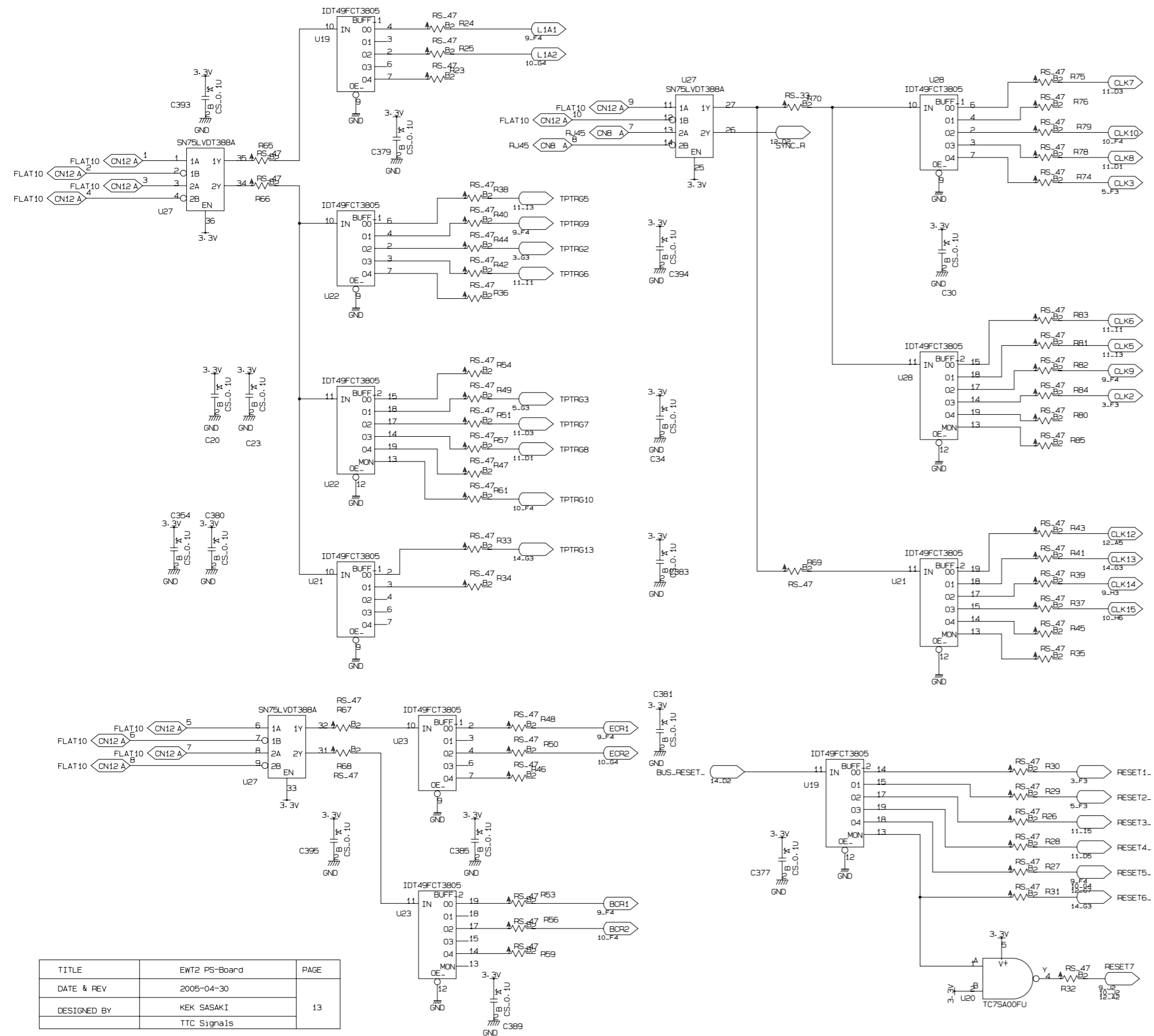
TITLE	EWT2 PS-Board	PAGE
DATE & REV	2005-04-30	10
DESIGNED BY	KEK SASAKI	
	SLB5	



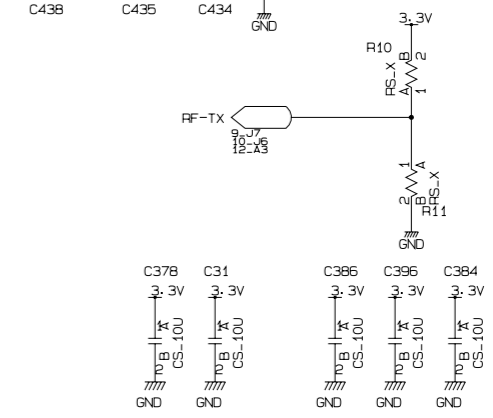
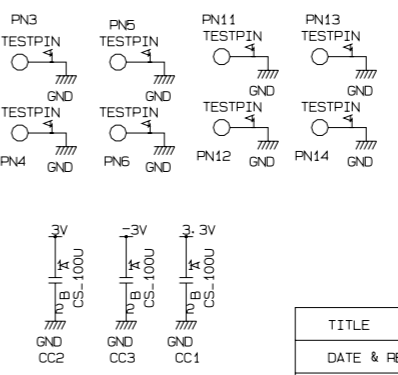
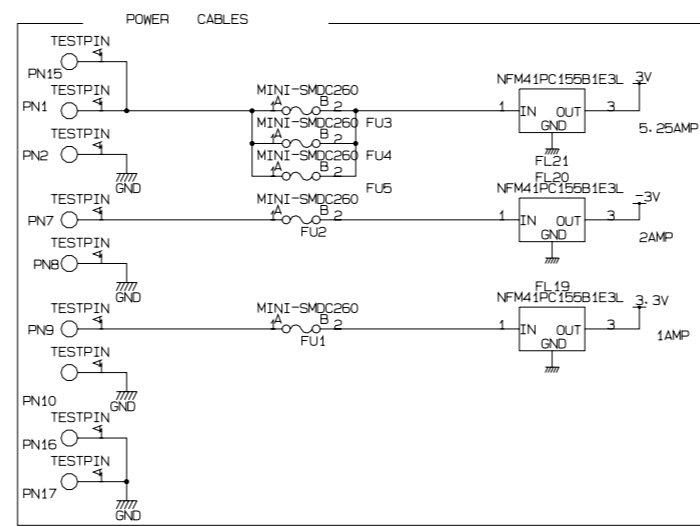
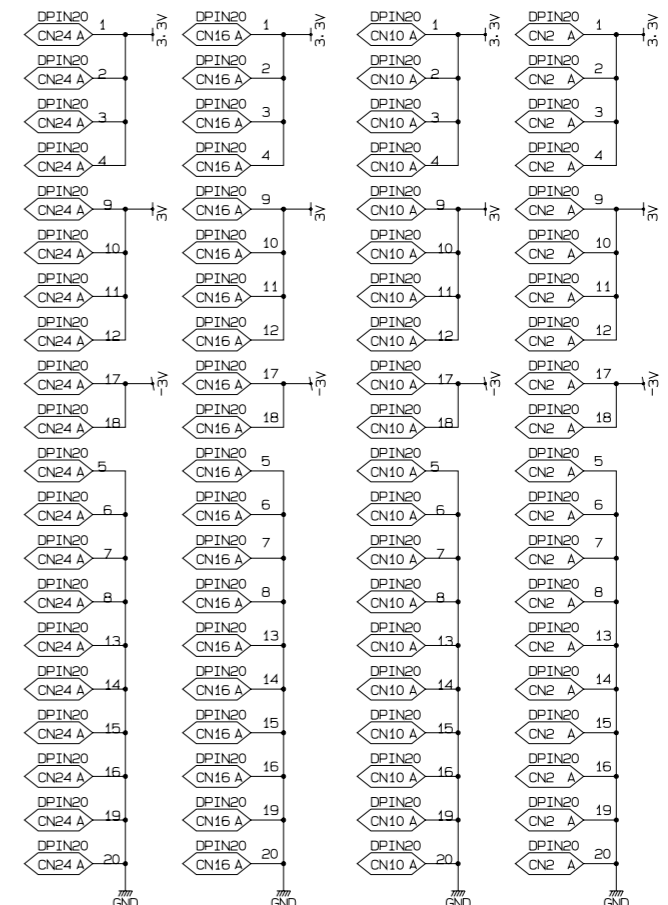
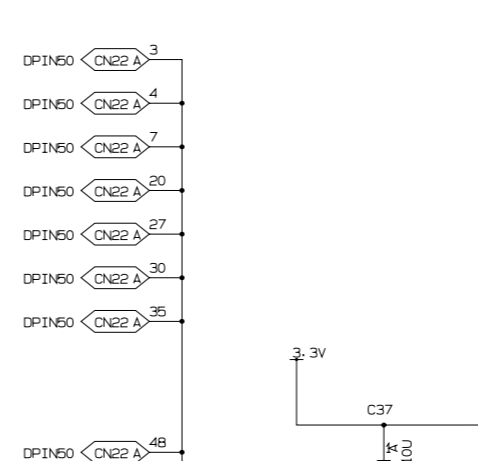
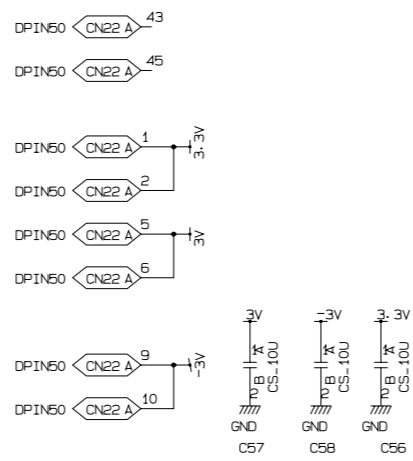
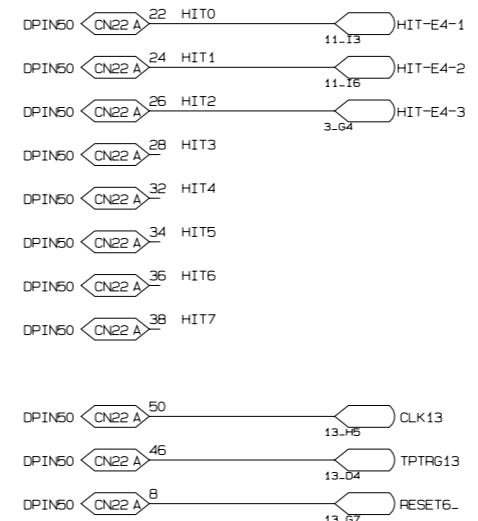
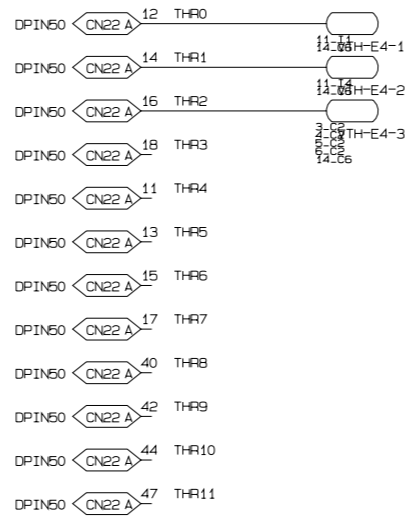
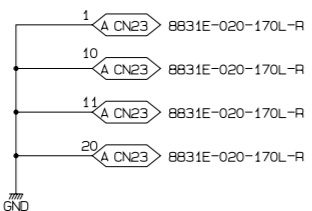
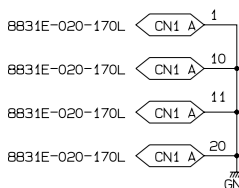
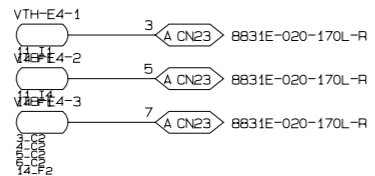
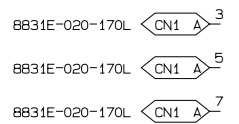
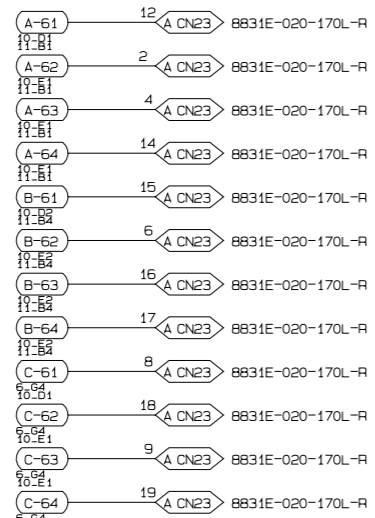
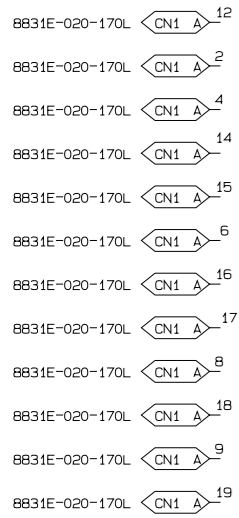
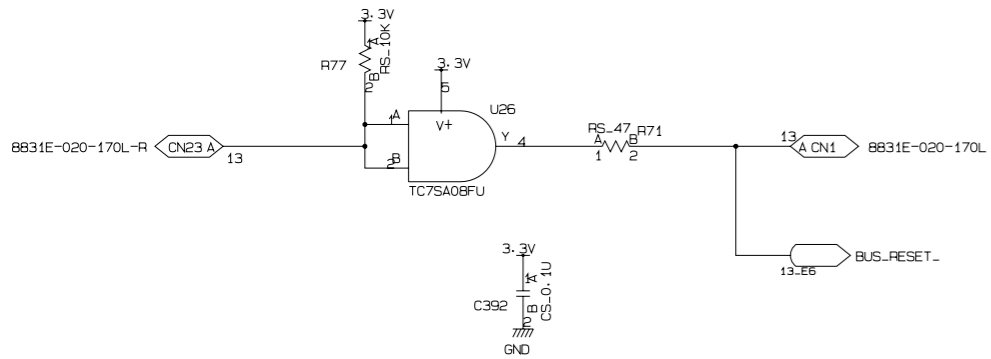
TITLE	EW2 PS-Board	PAGE
DATE & REV	2005-04-30	11
DESIGNED BY	KEK SASAKI	
	Daughter Board	



TITLE	EWT2 PS-Board	PAGE
DATE & REV	2005-04-30	12
DESIGNED BY	KEK SASAKI	
	Readout/Control	



TITLE	EWT2 PS-Board	PAGE
DATE & REV	2005-04-30	13
DESIGNED BY	KEK SASAKI	
	TTC Signals	



TITLE	EWT2 PS-Board	PAGE
DATE & REV	2005-04-30	14
DESIGNED BY	KEK SASAKI	
Power, adjacent signals and DCS		