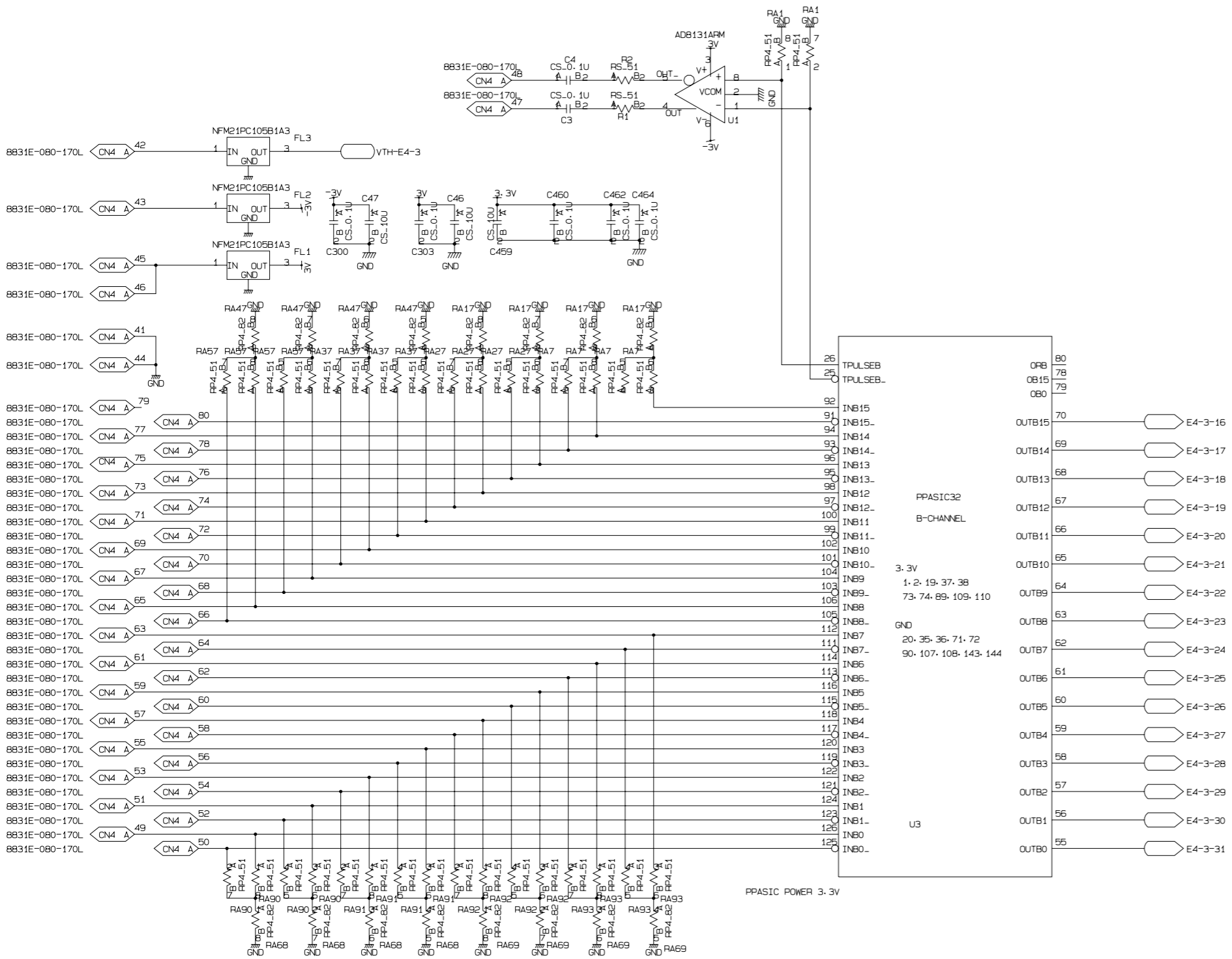
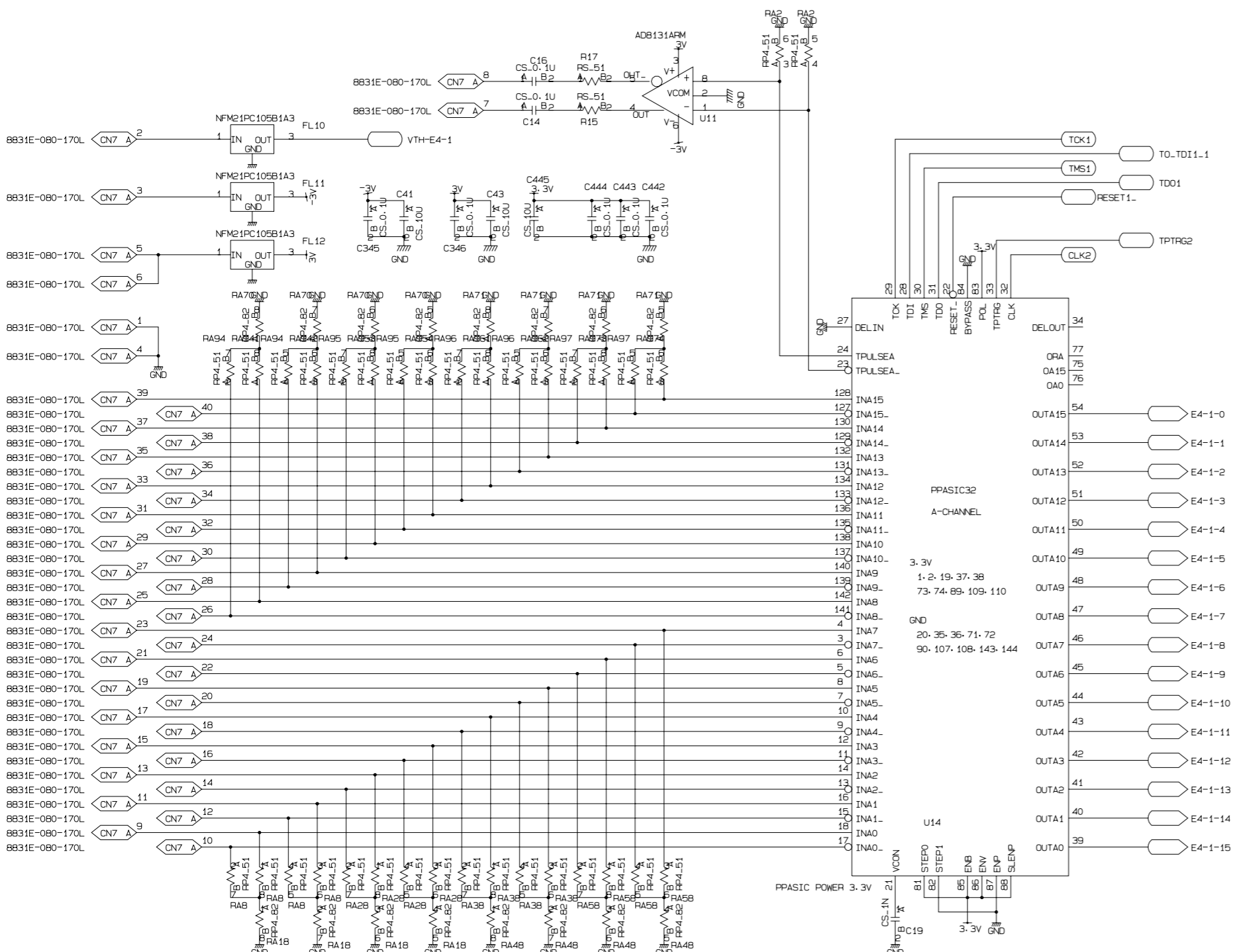


EST PWB=GN-04204-1

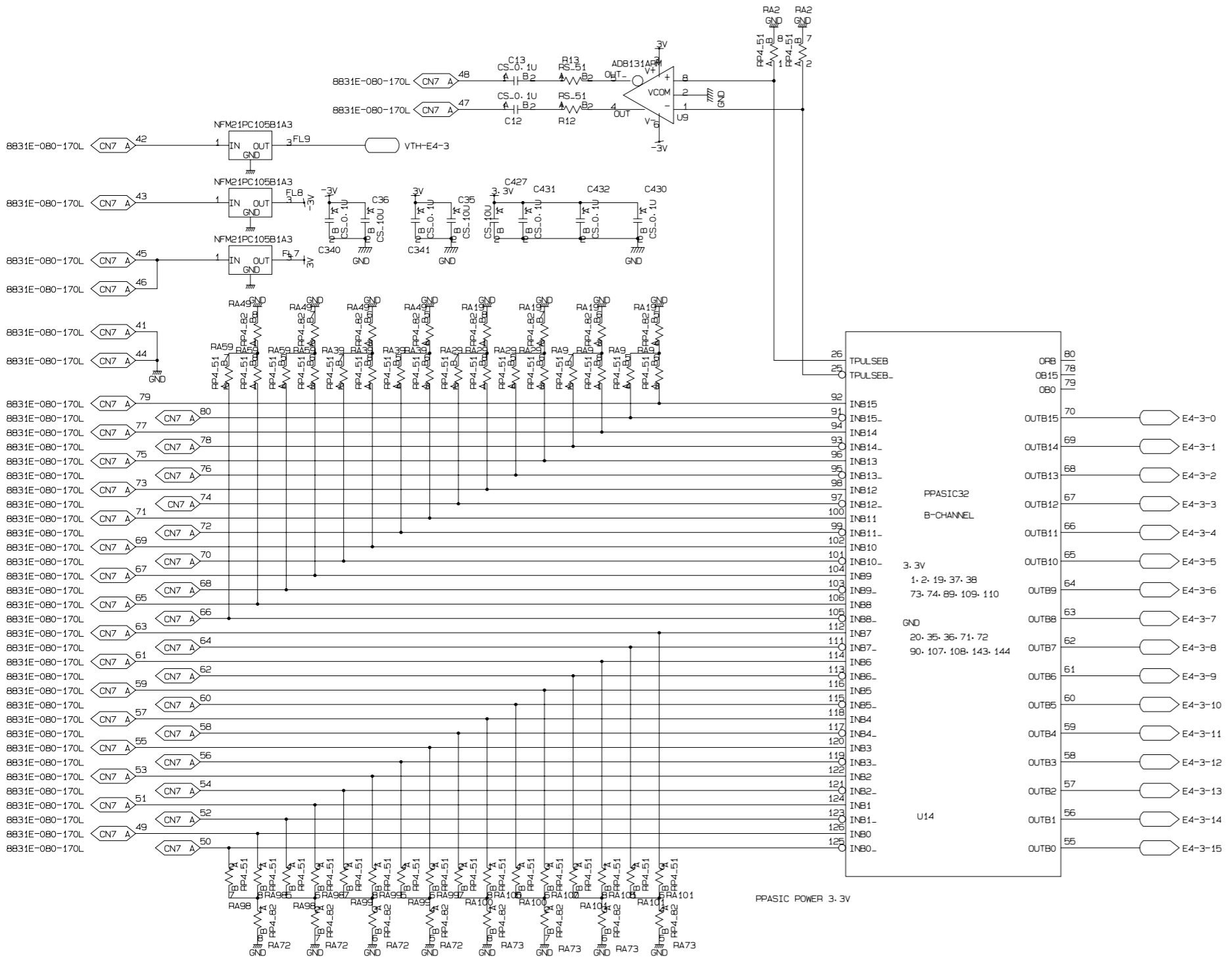
TITLE	EST PS-Board	PAGE
DATE & REV	2005-04-30	1
DESIGNED BY	KEK SASAKI	
	ES7-1	



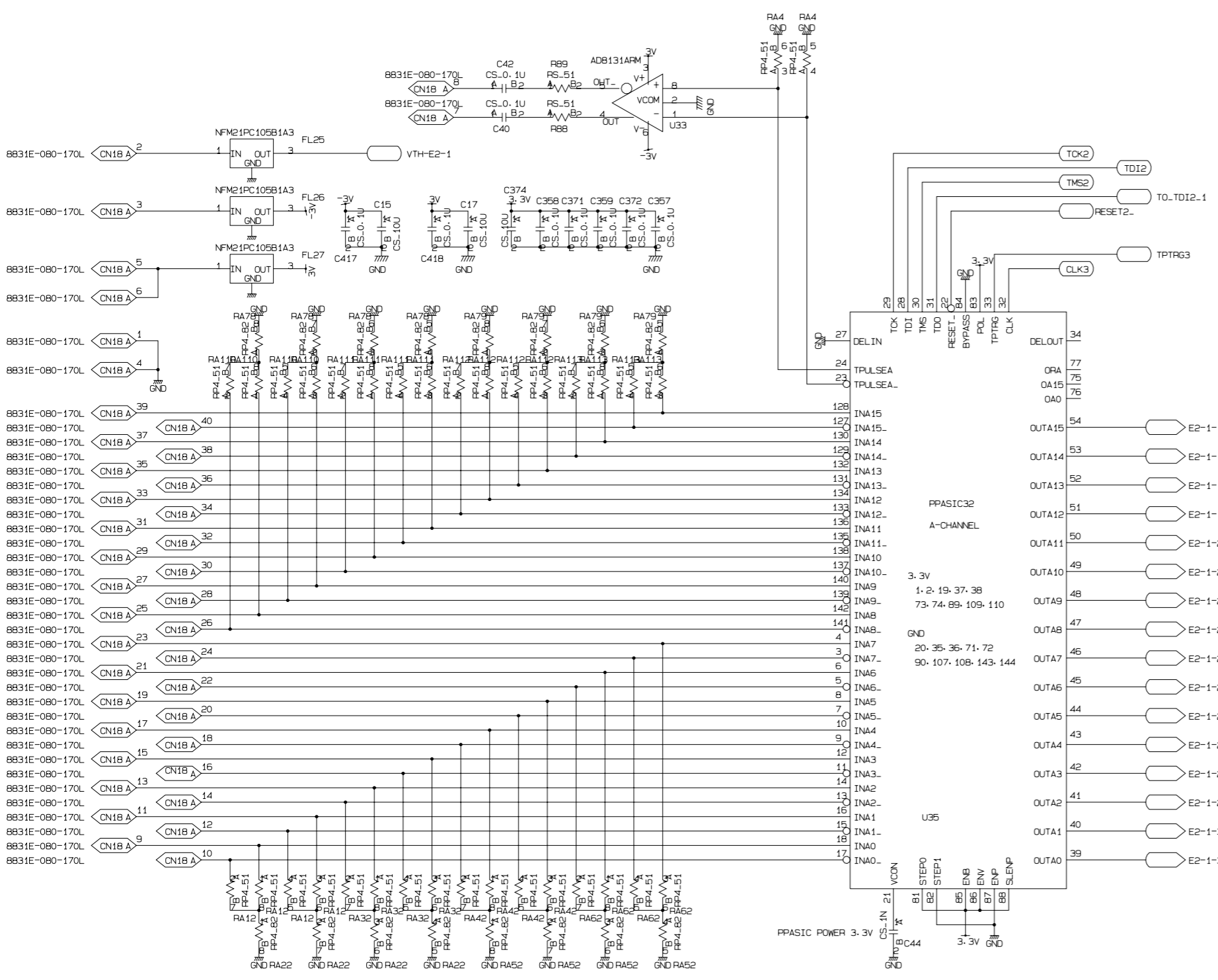
TITLE	EST PS-Board	PAGE
DATE & REV	2005-04-30	2
DESIGNED BY	KEK SASAKI	
	ES7-3	



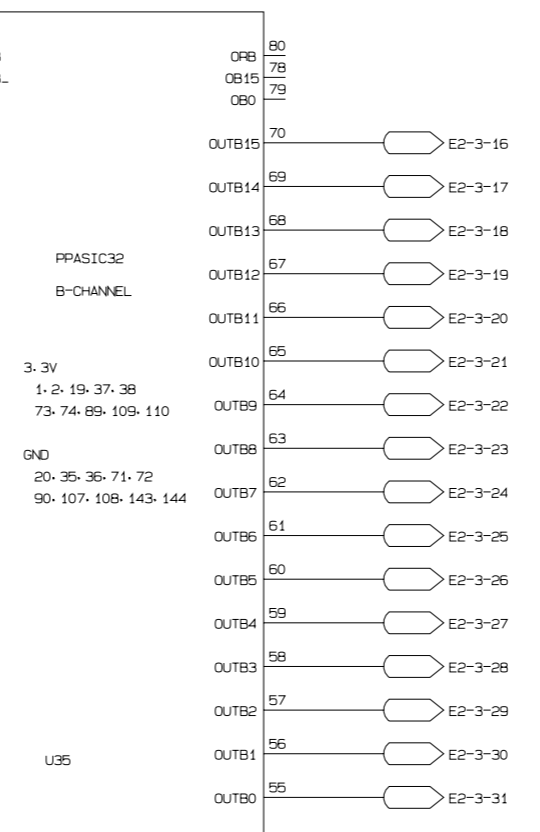
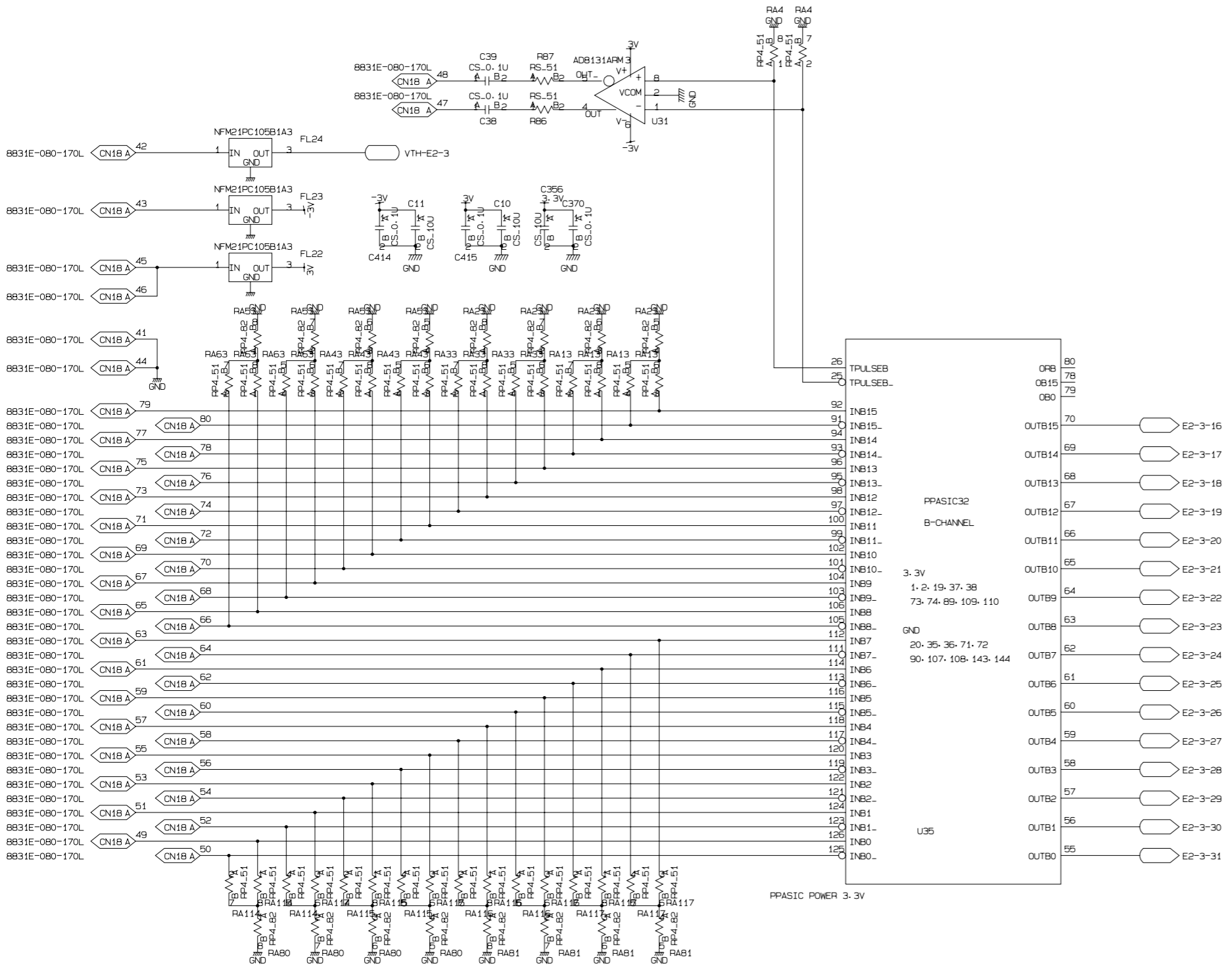
TITLE	EST PS-Board	PAGE
DATE & REV	2005-04-30	3
DESIGNED BY	KEK SASAKI	
	ES6-1	



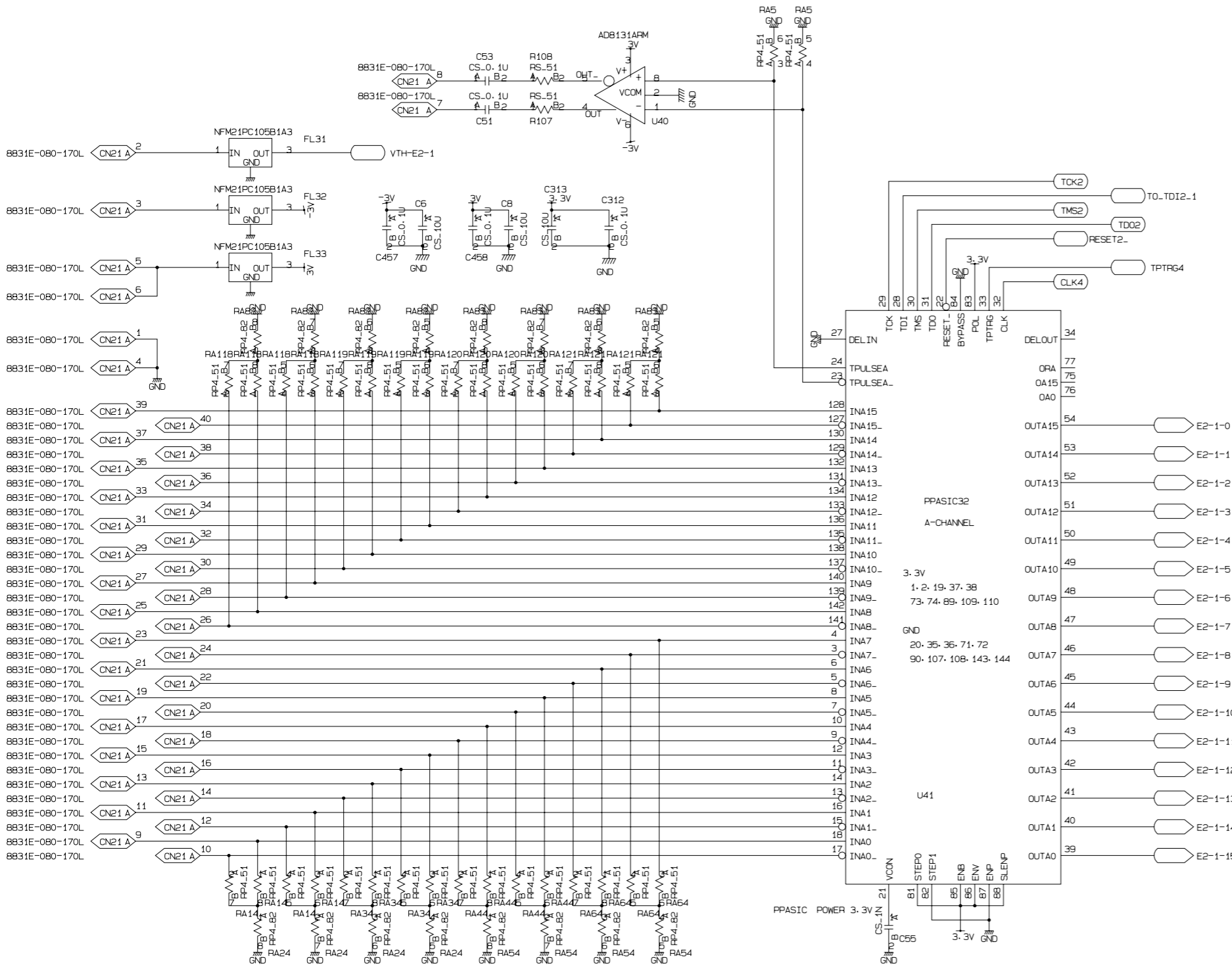
TITLE	EST PS-Board	PAGE
DATE & REV	2005-04-30	4
DESIGNED BY	KEK SASAKI	
	ES6-3	



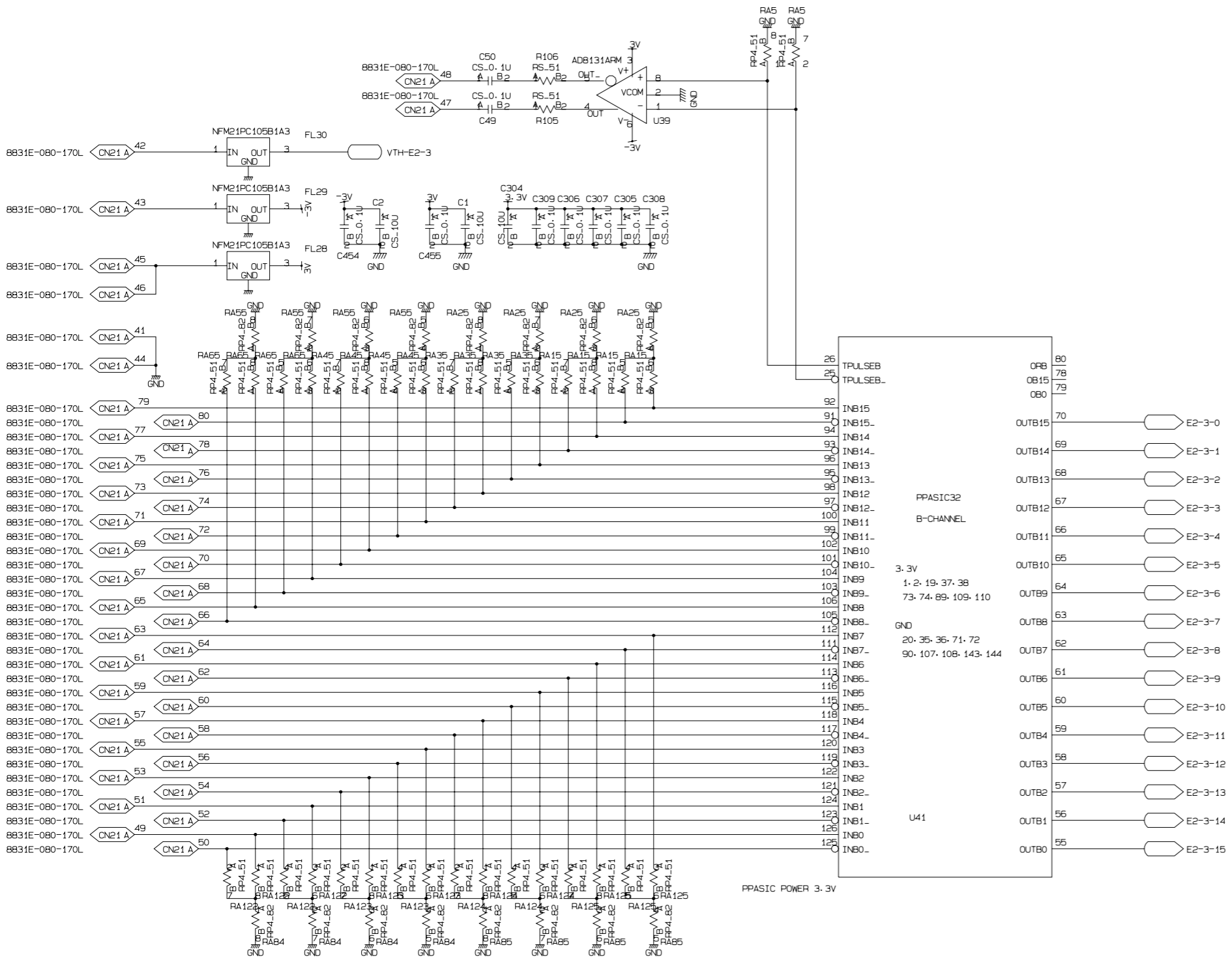
TITLE	EST PS-Board	PAGE
DATE & REV	2005-04-30	5
DESIGNED BY	KEK SASAKI	
	ES3-1	



TITLE	EST PS-Board	PAGE
DATE & REV	2005-04-30	6
DESIGNED BY	KEK SASAKI	
	ES3-3	

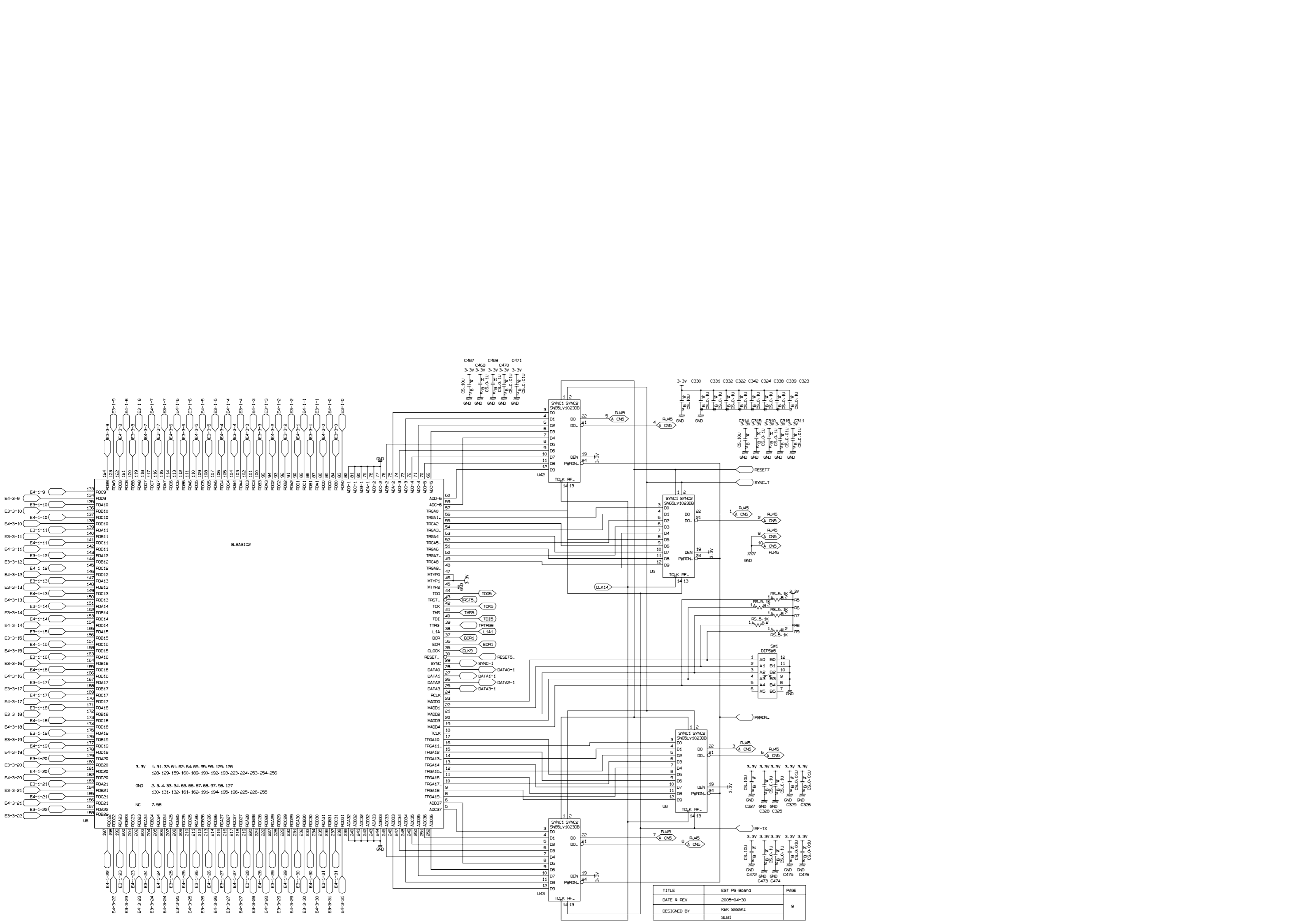


TITLE	EST PS-Board	PAGE
DATE & REV	2005-04-30	7
DESIGNED BY	KEK SASAKI	
	ES2-1	



TITLE	EST PS-Board	PAGE
DATE & REV	2005-04-30	8
DESIGNED BY	KEK SASAKI	
	ES2-3	



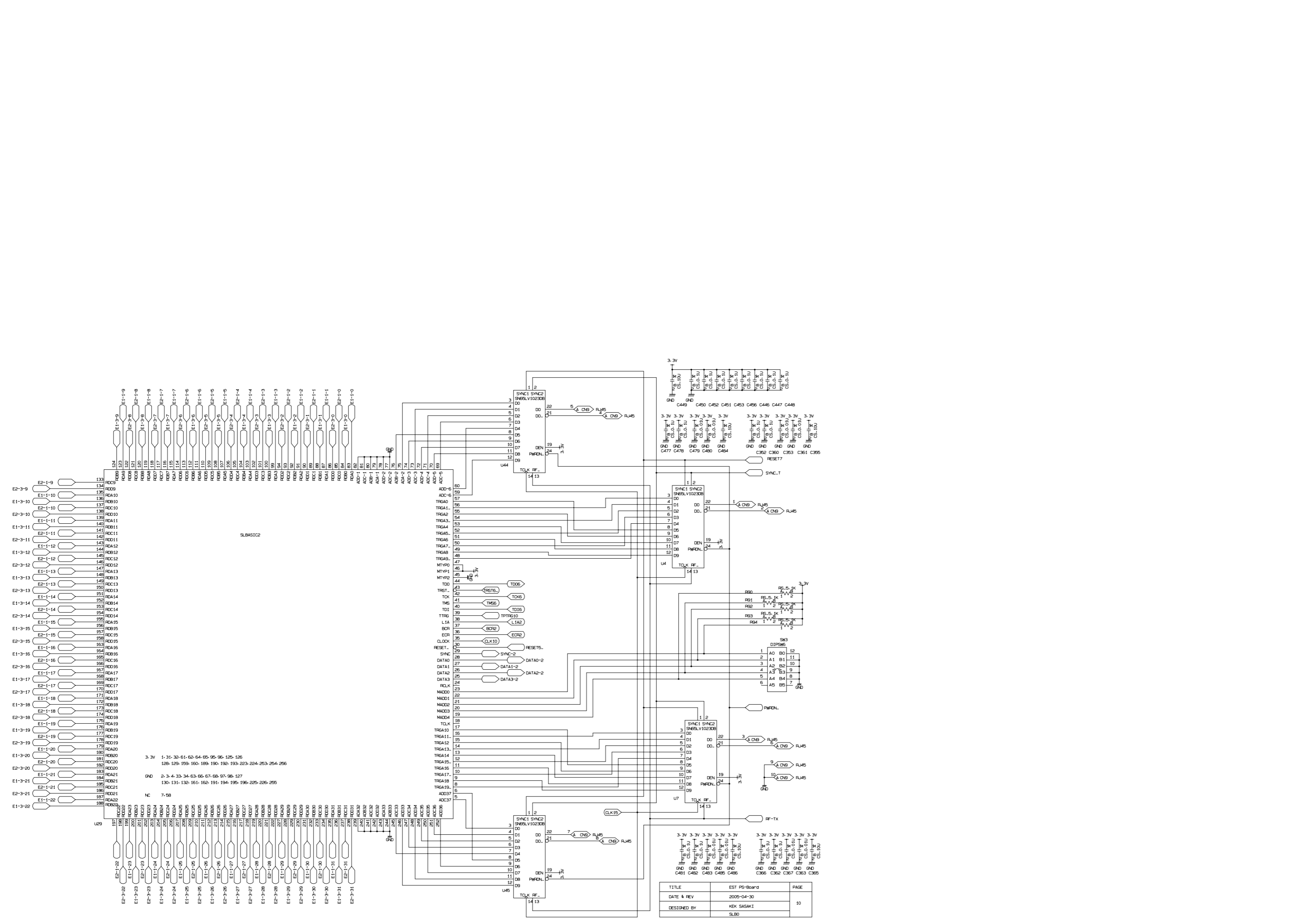


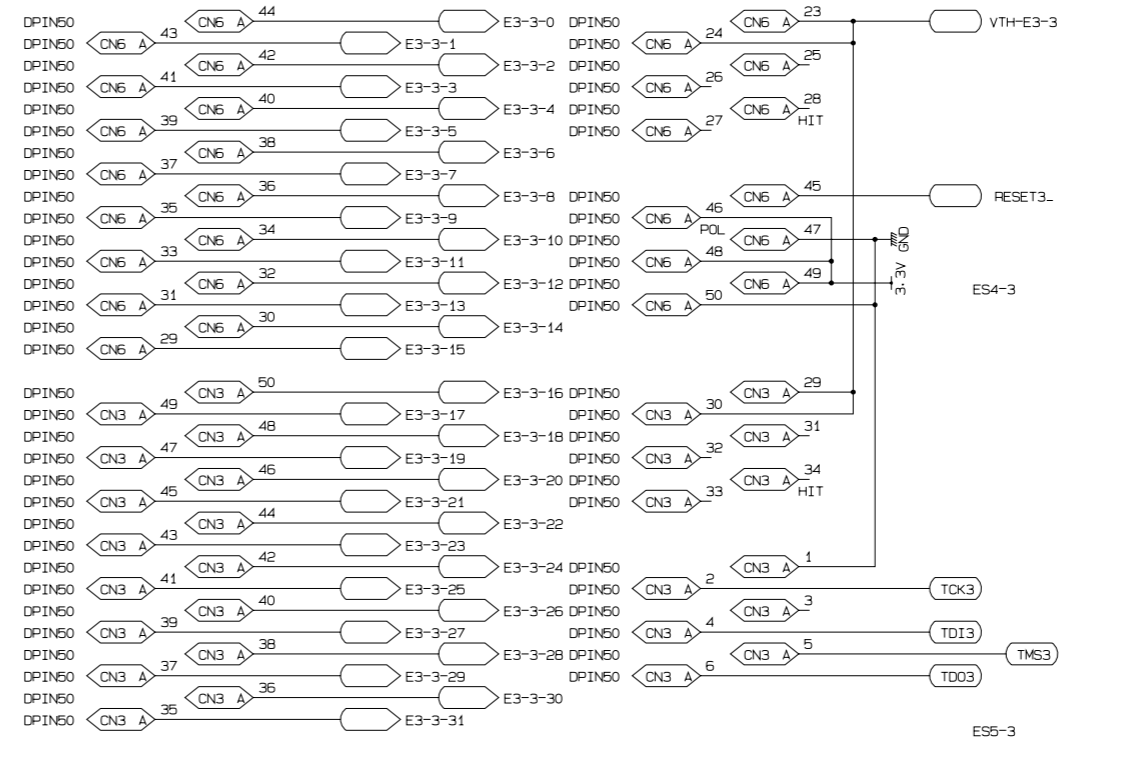
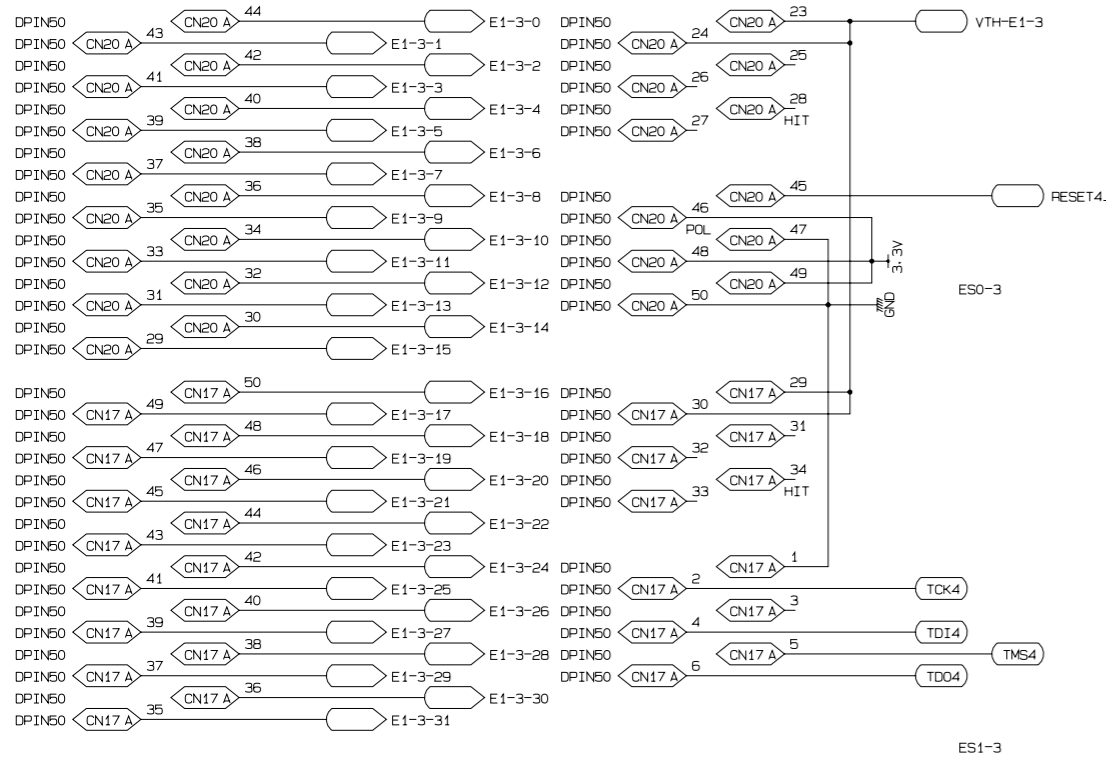
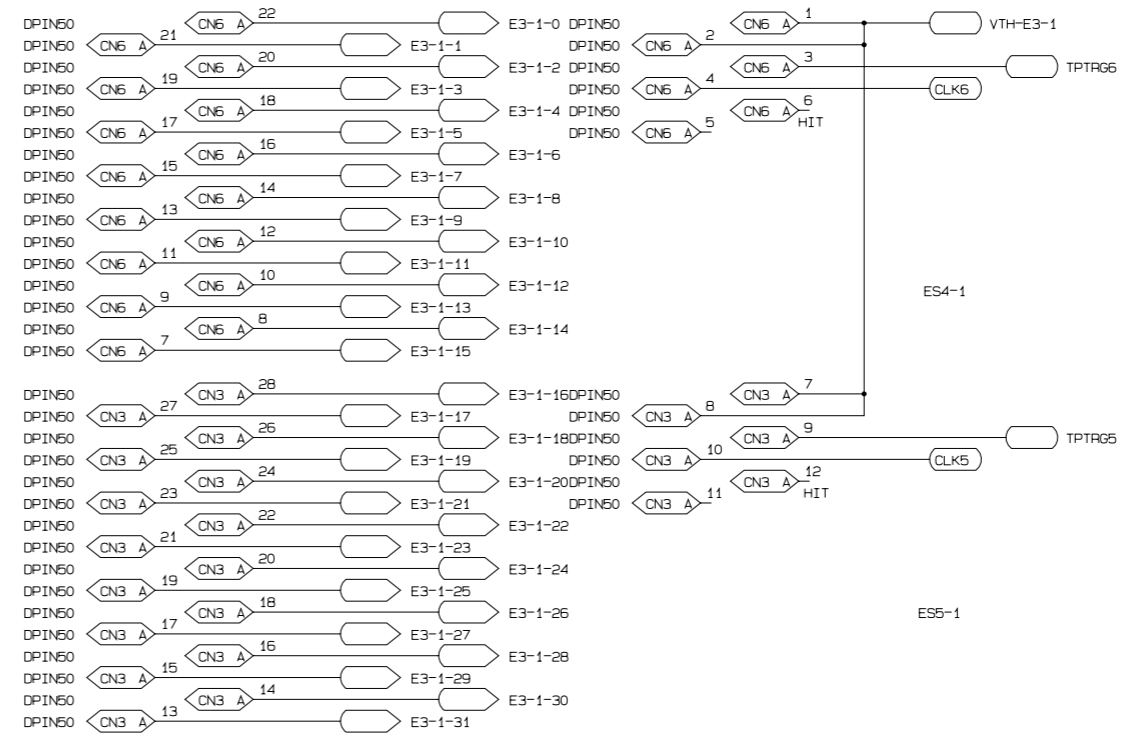
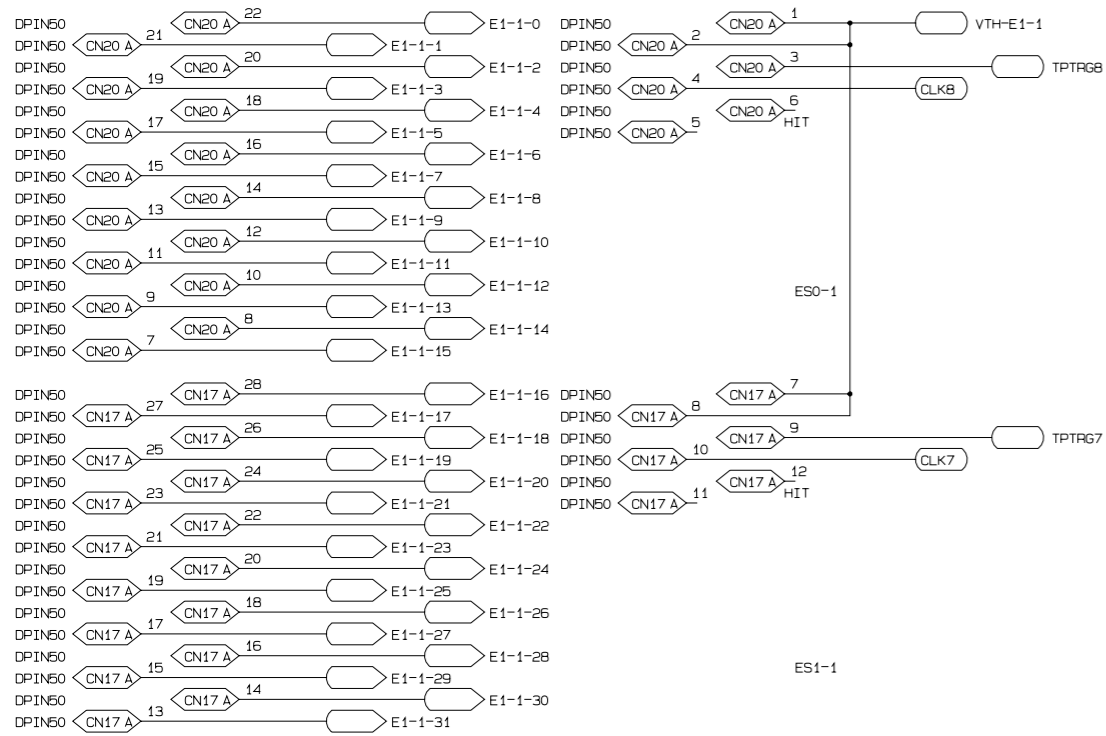
C467 C469 C470 C471  
 3.3V 3.3V 3.3V 3.3V  
 CS-0.0U CS-0.0U CS-0.0U CS-0.0U  
 GND GND GND GND

SLBASIC2

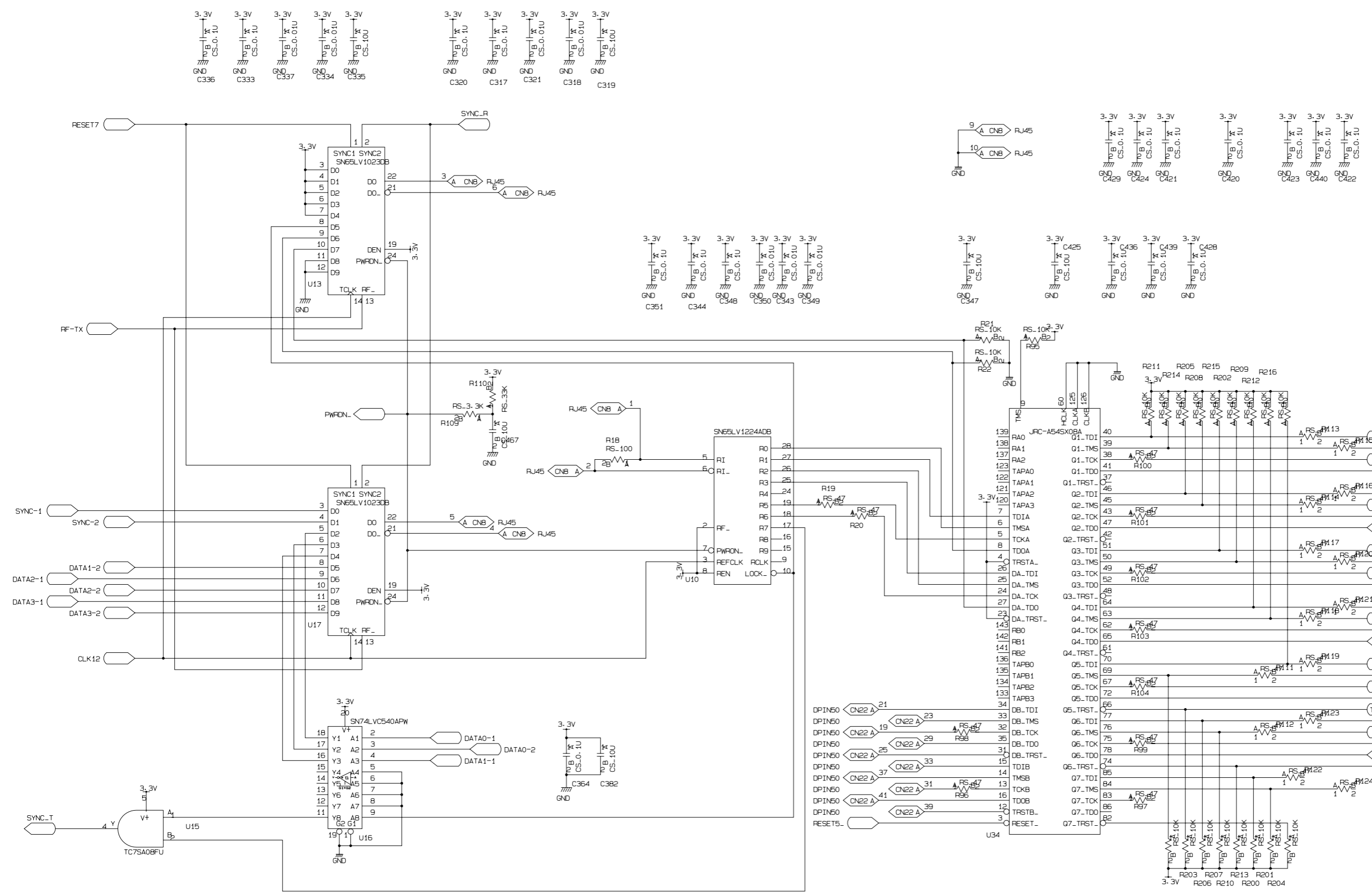
3.3V 1-31, 33-61, 62, 64, 65, 95, 96, 125, 126  
 128, 129, 159, 160, 169, 190, 193, 193, 224, 263, 254, 266  
 GND 2, 3, 4, 33, 34, 63, 66, 67, 68, 97, 98, 127  
 130, 131, 132, 161, 162, 191, 194, 195, 196, 225, 226, 255  
 NC 7, 58

TITLE	EST PS-Boards	PAGE
DATE & REV	2005-04-30	9
DESIGNED BY	KEK SASAKI	

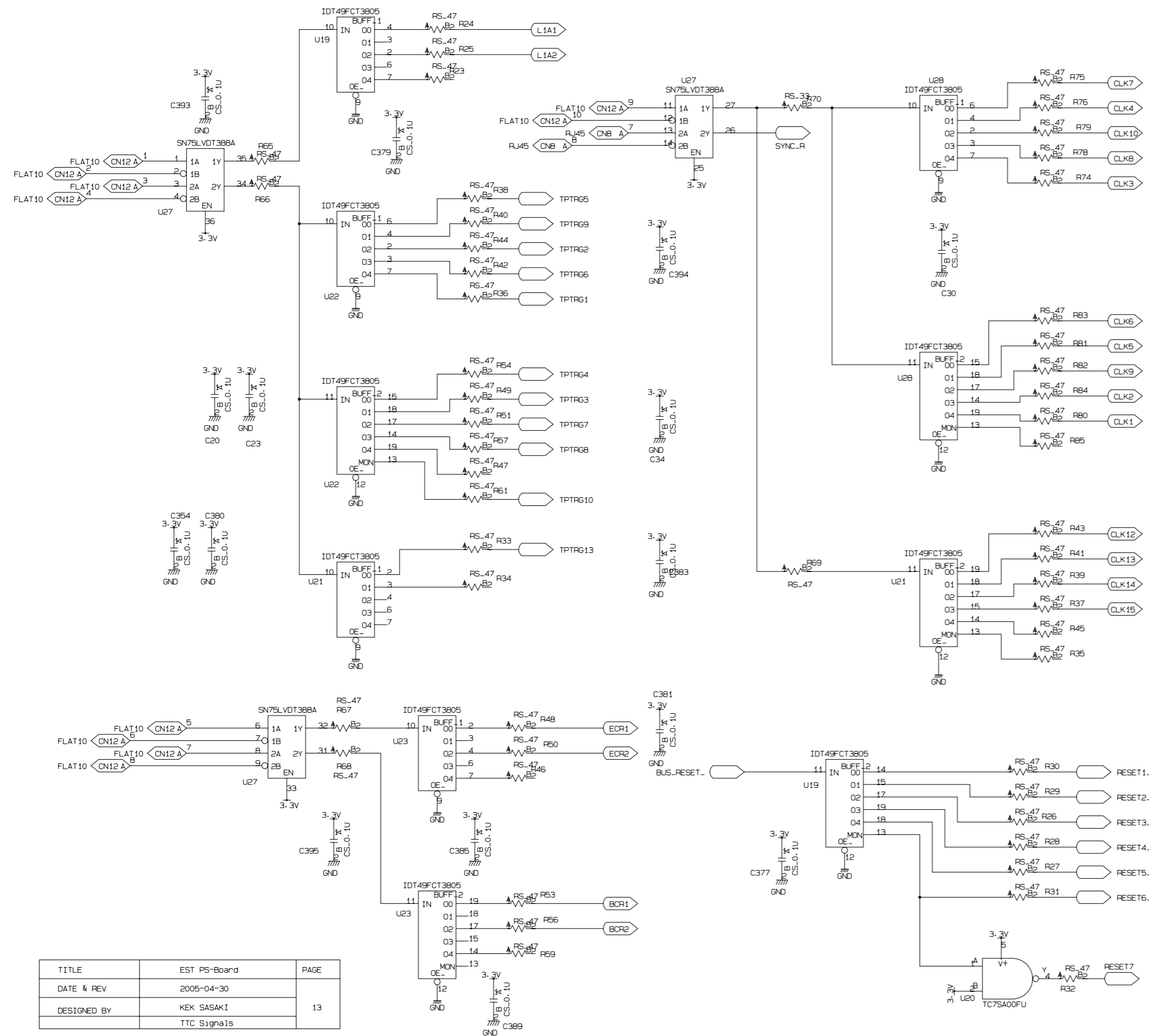




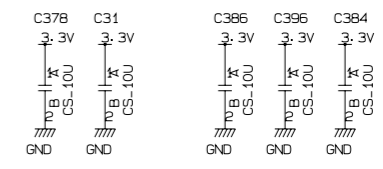
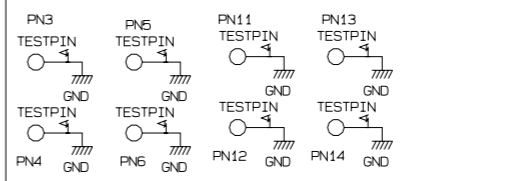
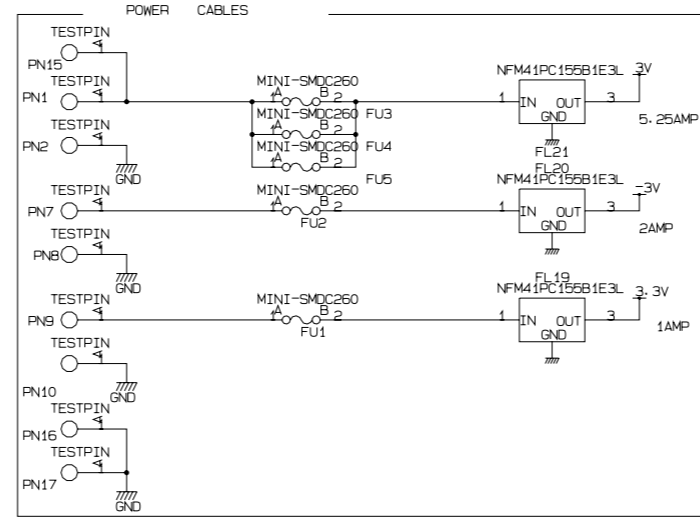
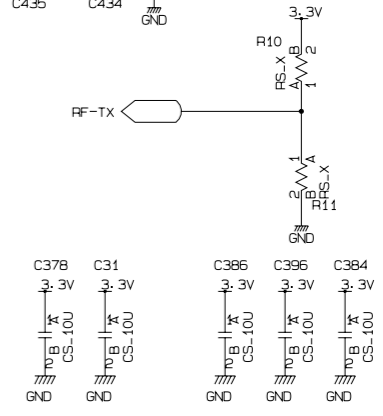
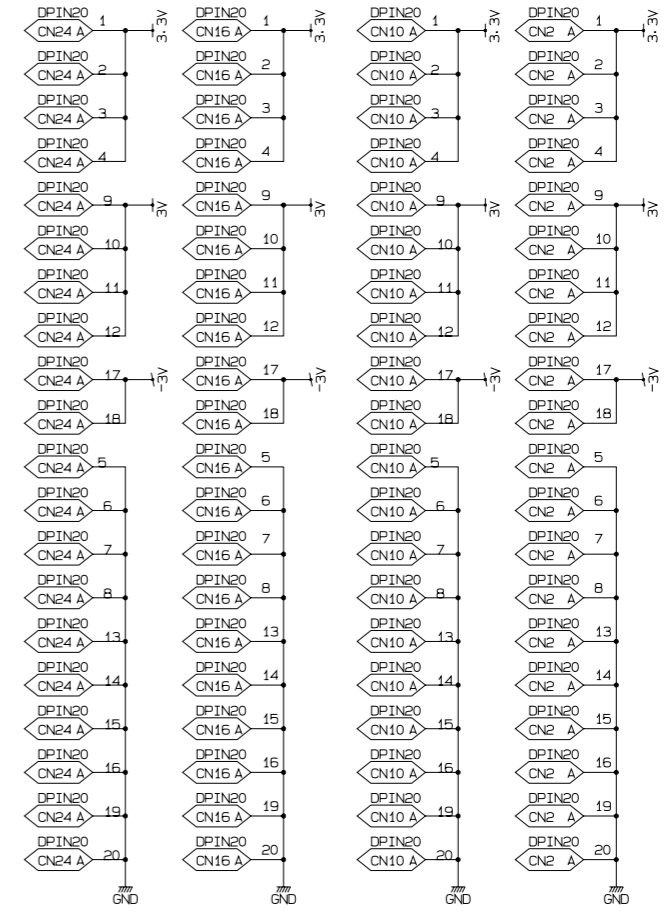
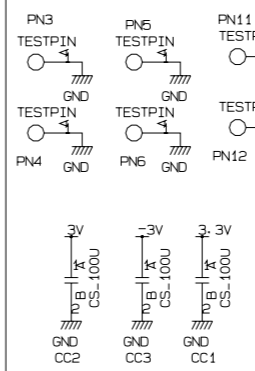
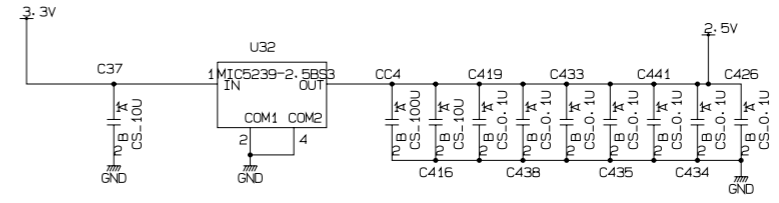
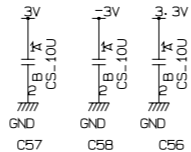
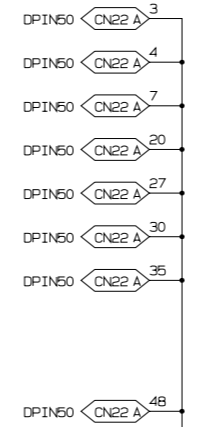
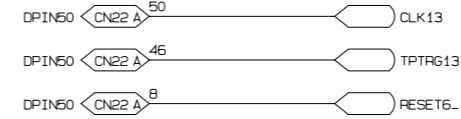
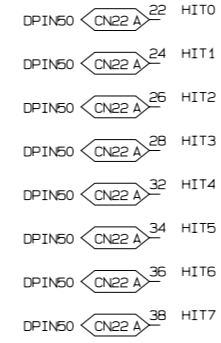
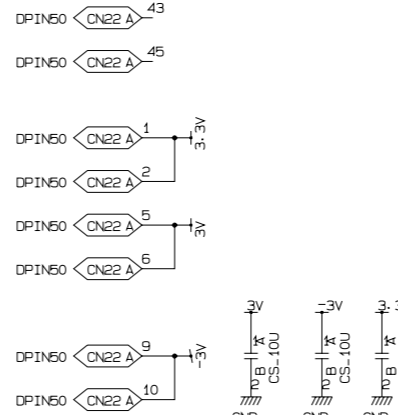
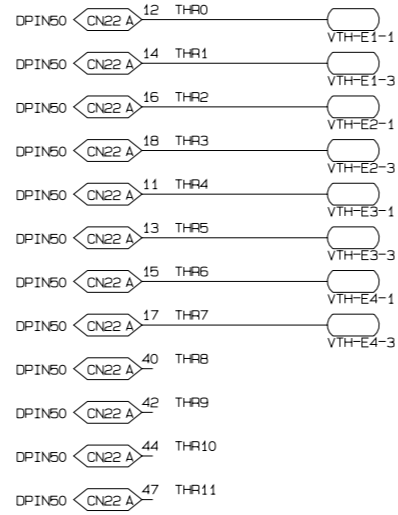
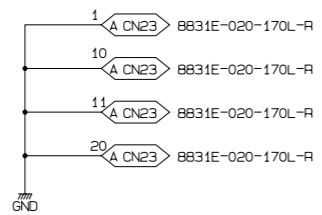
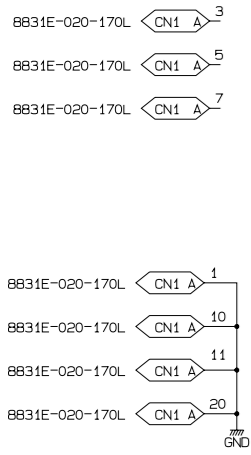
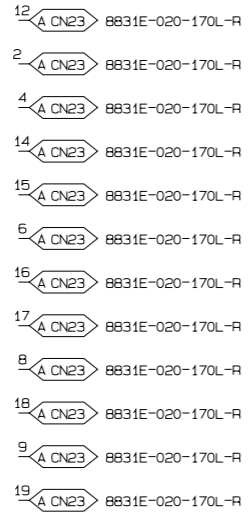
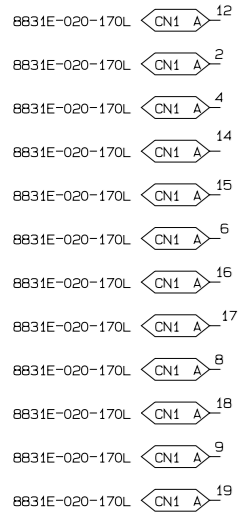
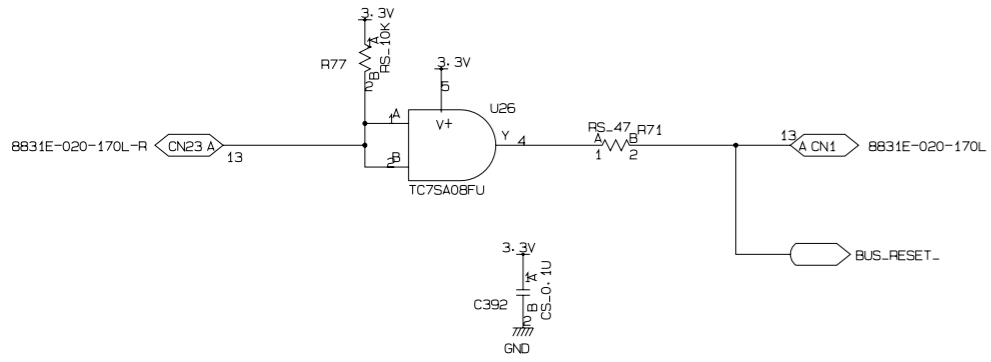
TITLE	EST PS-Board	PAGE
DATE & REV	2005-04-30	11
DESIGNED BY	KEK SASAKI	
	Daughter Board	



TITLE	EST PS-Board	PAGE
DATE & REV	2005-04-30	12
DESIGNED BY	KEK SASAKI	
	Readout/Control	



TITLE	EST PS-Board	PAGE
DATE & REV	2005-04-30	13
DESIGNED BY	KEK SASAKI	
	TTC Signals	



TITLE	EST PS-Board	PAGE
DATE & REV	2005-04-30	14
DESIGNED BY	KEK SASAKI	
Power, adjacent signals and DCS		