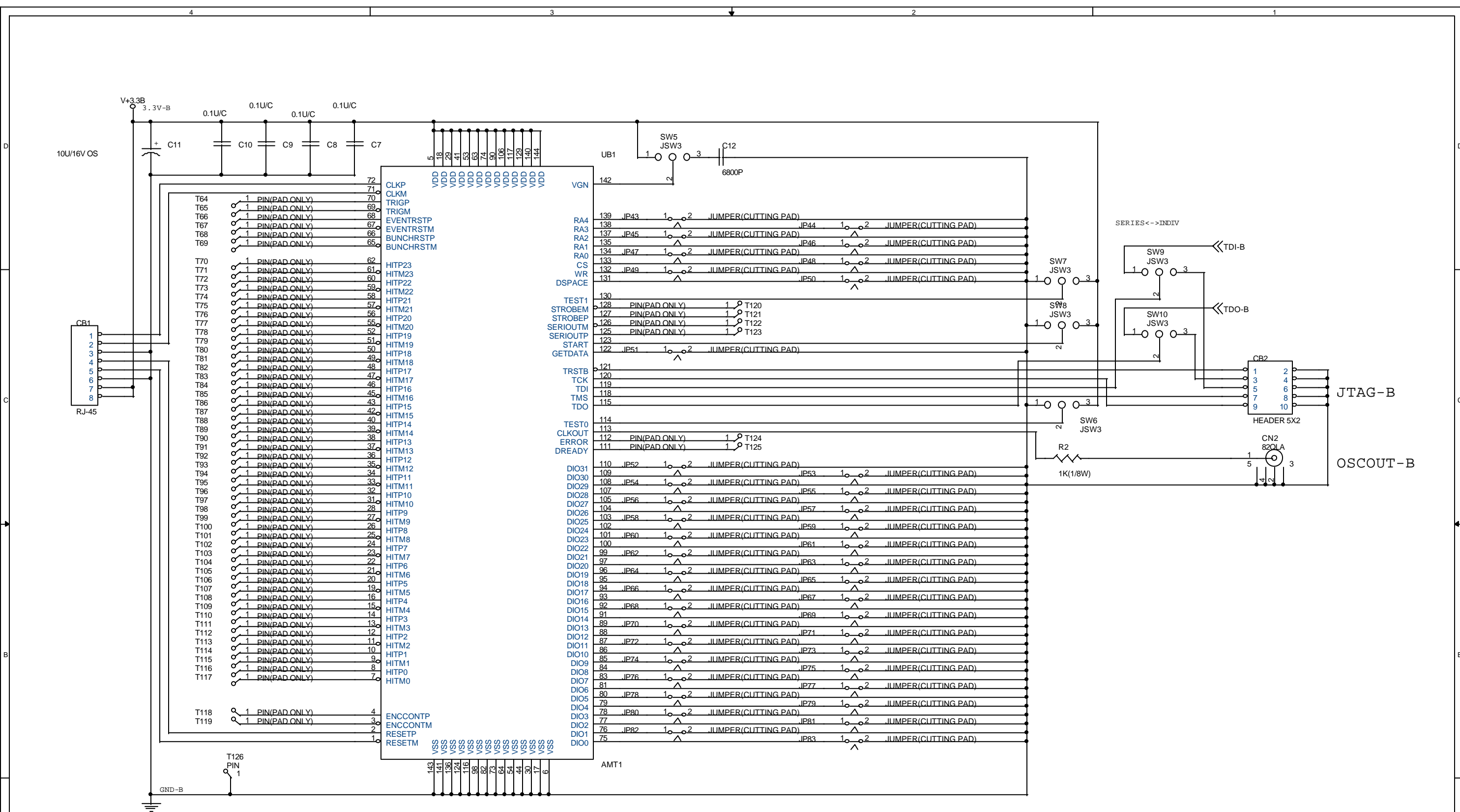


LINK
 AMT-1_1.SCH
 AMT-1_2.SCH
 AMT-1_3.SCH

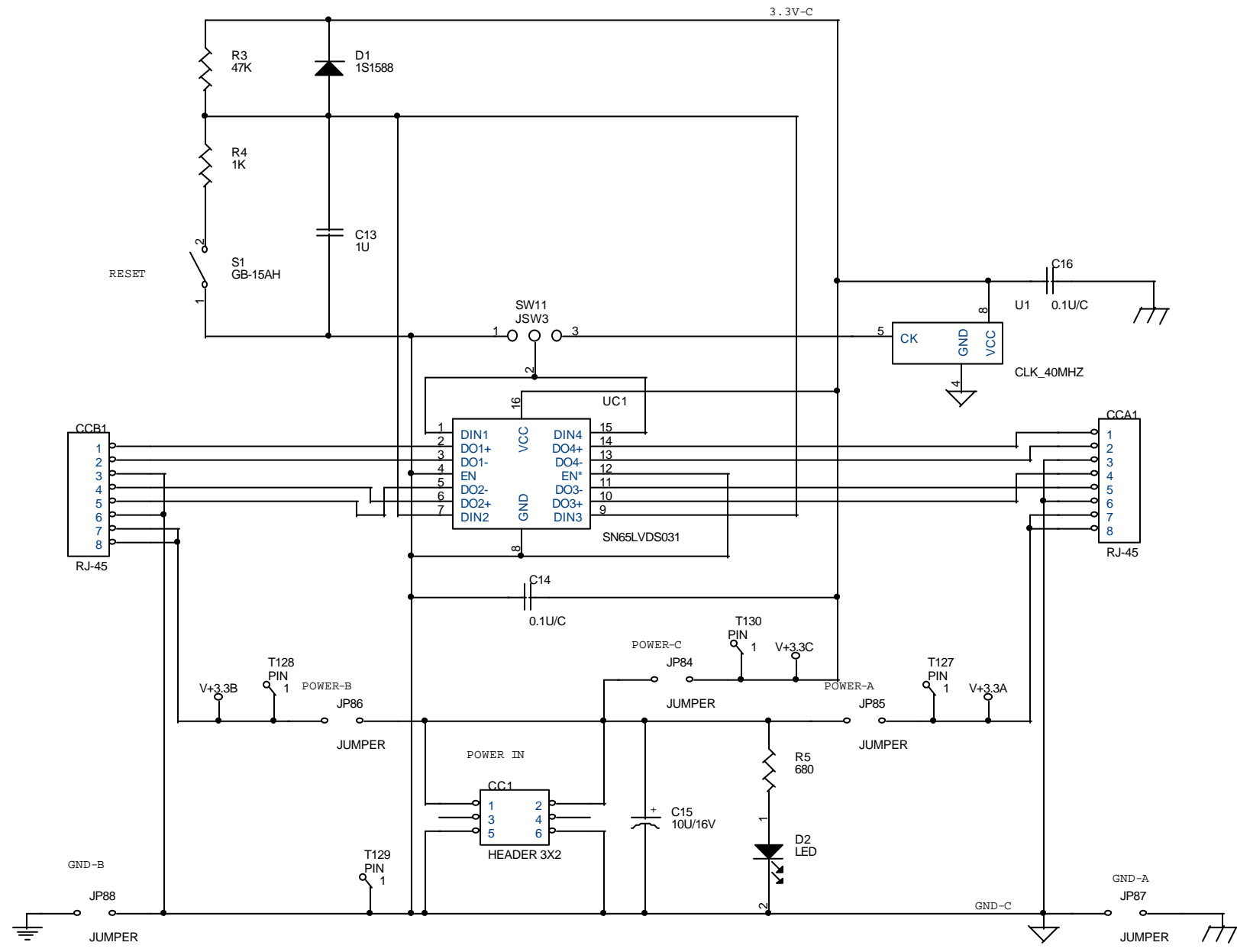
GN-0053-1

KEK ARAI			
AMT-1 RADIATION TEST BOARD <CHIP A>			
Size	CAGE Code	DWG NO	Rev
A3	(Cage Code)	AMT-1_1.SCH	1
Tuesday, May 02, 2000	Scale	Sheet	1 of 3



KEK ARAI			
AMT-1 RADIATION TEST BOARD <CHIP B>			
Size	CAGE Code	DWG NO	Rev
A3	(Cage Code)	AMT-1_2.SCH	1
Tuesday, May 02, 2000	Scale	Sheet	2 of 3

GN-0053-1



KEK ARAI			
AMT-1 RADIATION TEST BOARD <POWER>			
Size A3	CAGE Code (Cage Code)	DWG NO AMT-1_3.SCH	Rev 1
Tuesday, May 02, 2000	Scale	Sheet 3 of 3	