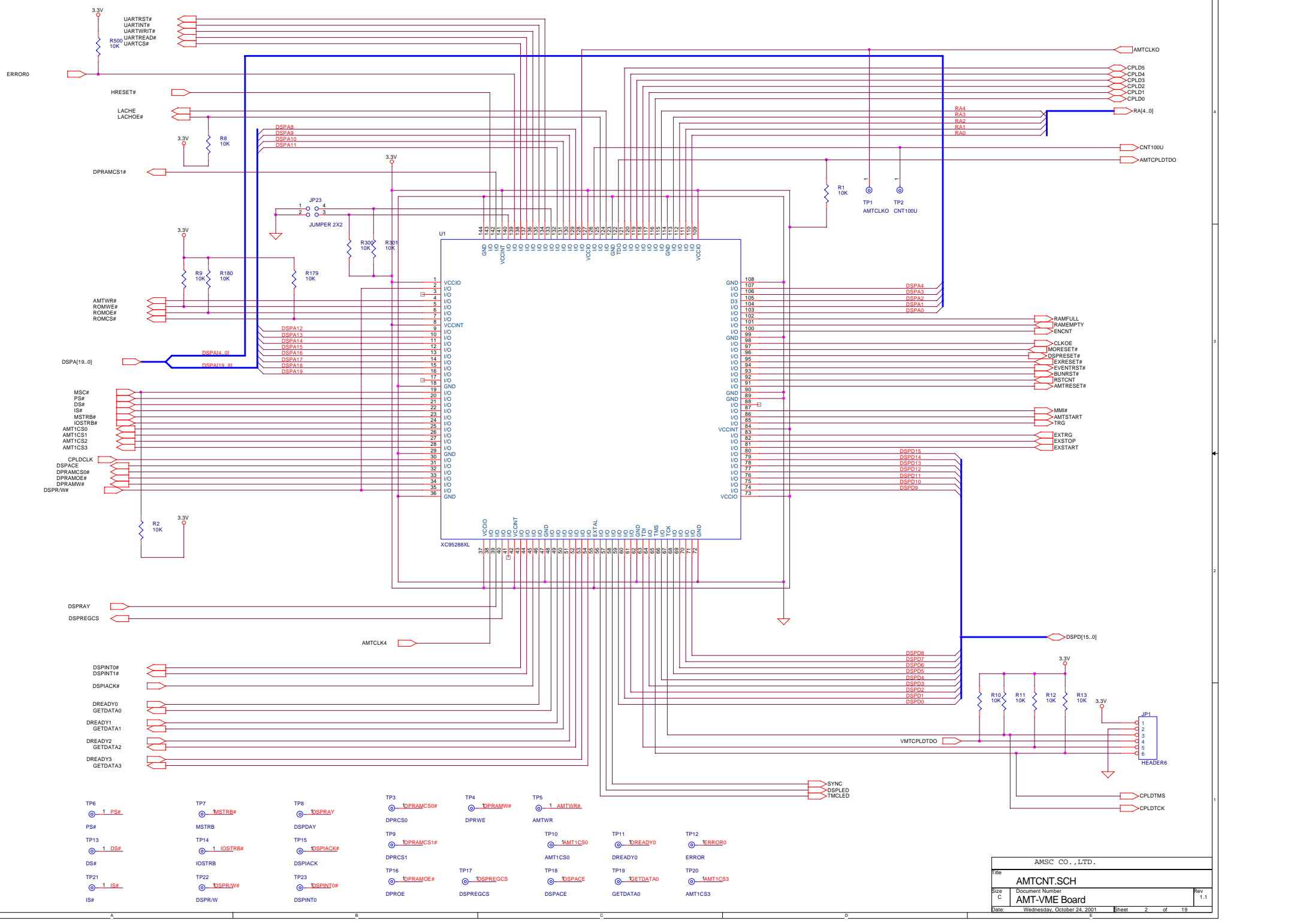


Title (Title)		
Size B	Document Number {Doc}	Rev {RevCod}
Date:	Wednesday, October 24, 2001	Sheet 1 of 19



TP6	TP7	TP8	TP3	TP4	TP5	TP11	TP12
1 PS#	MSTRB#	DSPRAY	DPRAMCS0#	DPRAMW#	1 AMTWRE#	DREADY0	ERROR0
PS#	MSTRB	DSPDAY	DPRCS0	DPRWE	AMTW	DREADY0	ERROR
TP13	TP14	TP15	TP9	TP10	TP11	TP12	
1 DS#	1 IOSTRB#	DSPACK#	DPRAMCS1#	1 AMT1CS0	DREADY0	ERROR0	
DS#	IOSTRB	DSPACK	DPRCS1	AMT1CS0	DREADY0	ERROR	
TP21	TP22	TP23	TP16	TP17	TP18	TP19	TP20
1 IS#	DSPRW#	DSPINT0#	DPRAMOE#	DSPREGCS	DSPACE	GETDATA0	1 AMT1CS3
IS#	DSPRW	DSPINT0	DPROE	DSPREGCS	DSPACE	GETDATA0	AMT1CS3

AMSC CO., LTD.

File: AMTCONT.SCH

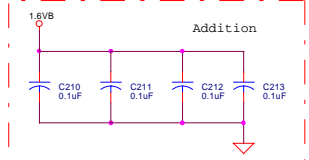
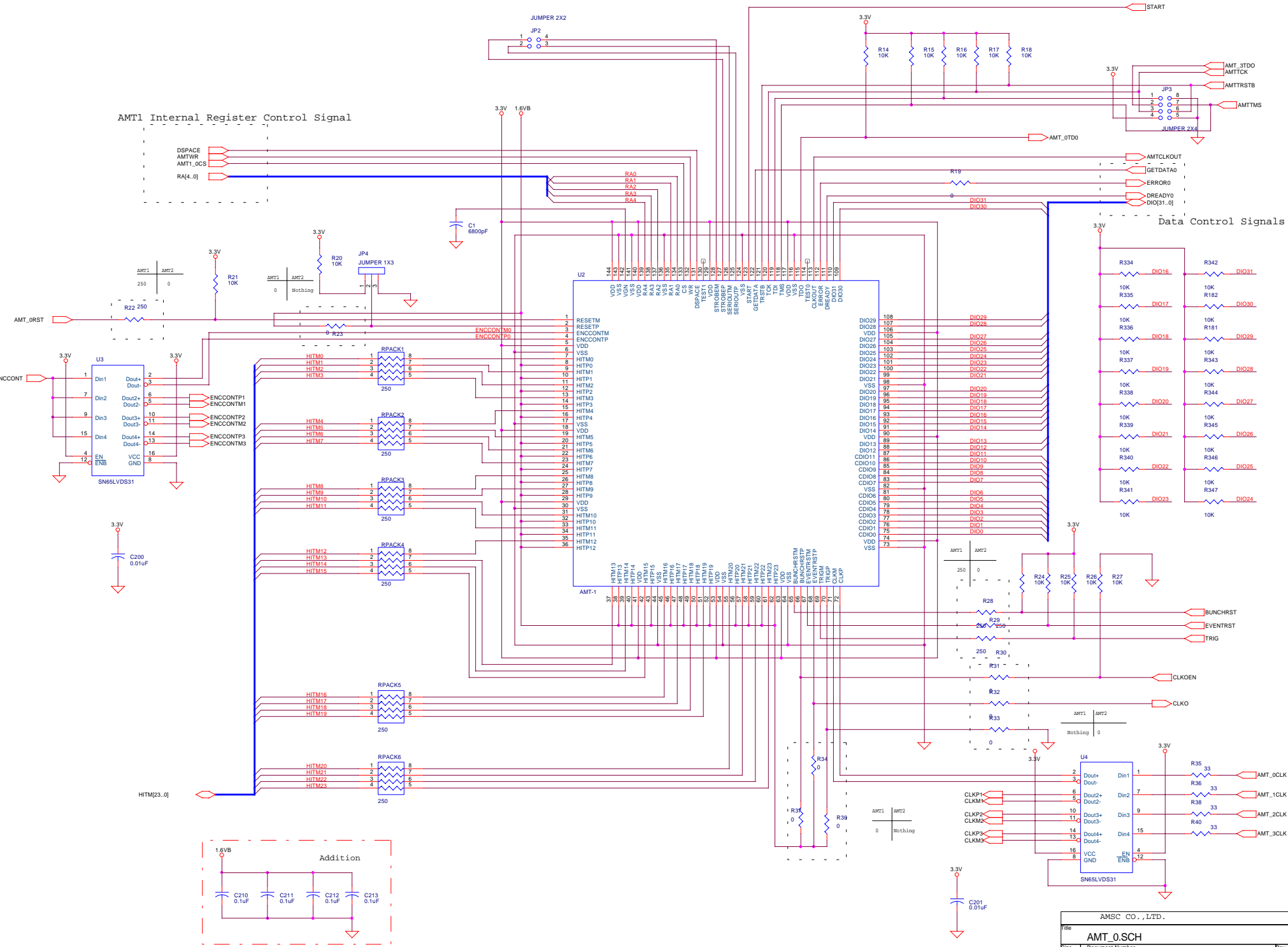
Document Number: AMT-VME Board

Date: Wednesday, October 24, 2001

Sheet: 2 of 19

Rev: 1.1

AMT1 Internal Register Control Signal



AMT1 Internal Register Control Signal

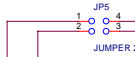
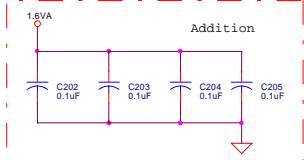
DSPACE
AMTWIR
AMT0_1CS
RA[4..0]

AMT1 AMT2
250 0

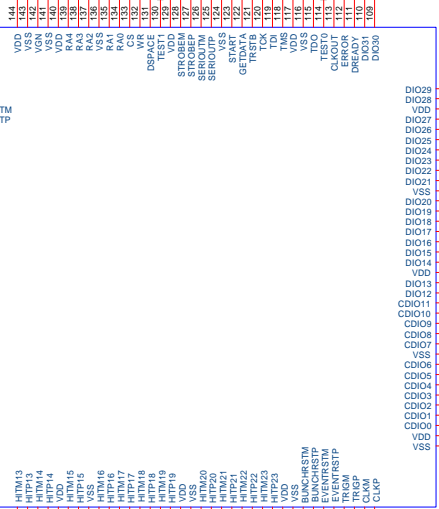
AMT1 AMT2
0 Nothing

AMT1 AMT2
250 0

AMT1 AMT2
0 Nothing



RA0
RA1
RA2
RA3
RA4

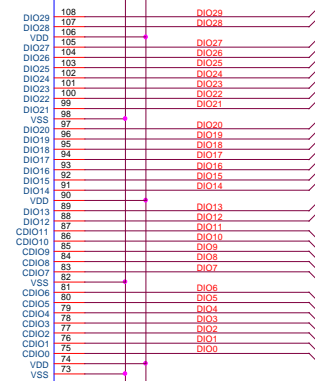


AMT-1
37 HITM13
38 HTP13
39 HITM14
40 HTP14
41 VDD 4
42 VDD 4
43 HITM15
44 HTP15
45 VSS 4
46 HTP16
47 HITM17
48 HTP17
49 HITM18
50 HTP18
51 HTP19
52 HTP19
53 VDD 3
54 VDD 3
55 VSS 3
56 HITM20
57 HTP20
58 HTP21
59 HTP21
60 HTP22
61 HTP22
62 HITM23
63 VDD 3
64 VDD 3
65 VSS 3
66 VSS 3
67 BANCHRSTP
68 BANCHRSTP
69 BANCHRSTP
70 TRGM
71 CLAM
72 CLAMP

Data Control Signals

AMTRSB
AMTCK
AMT_OTDO
AMTTMS
AMT_1TDO

AMTCLKOUT
GETDATA
ERROR1
DREADY1
DIO[31..0]



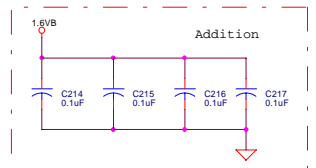
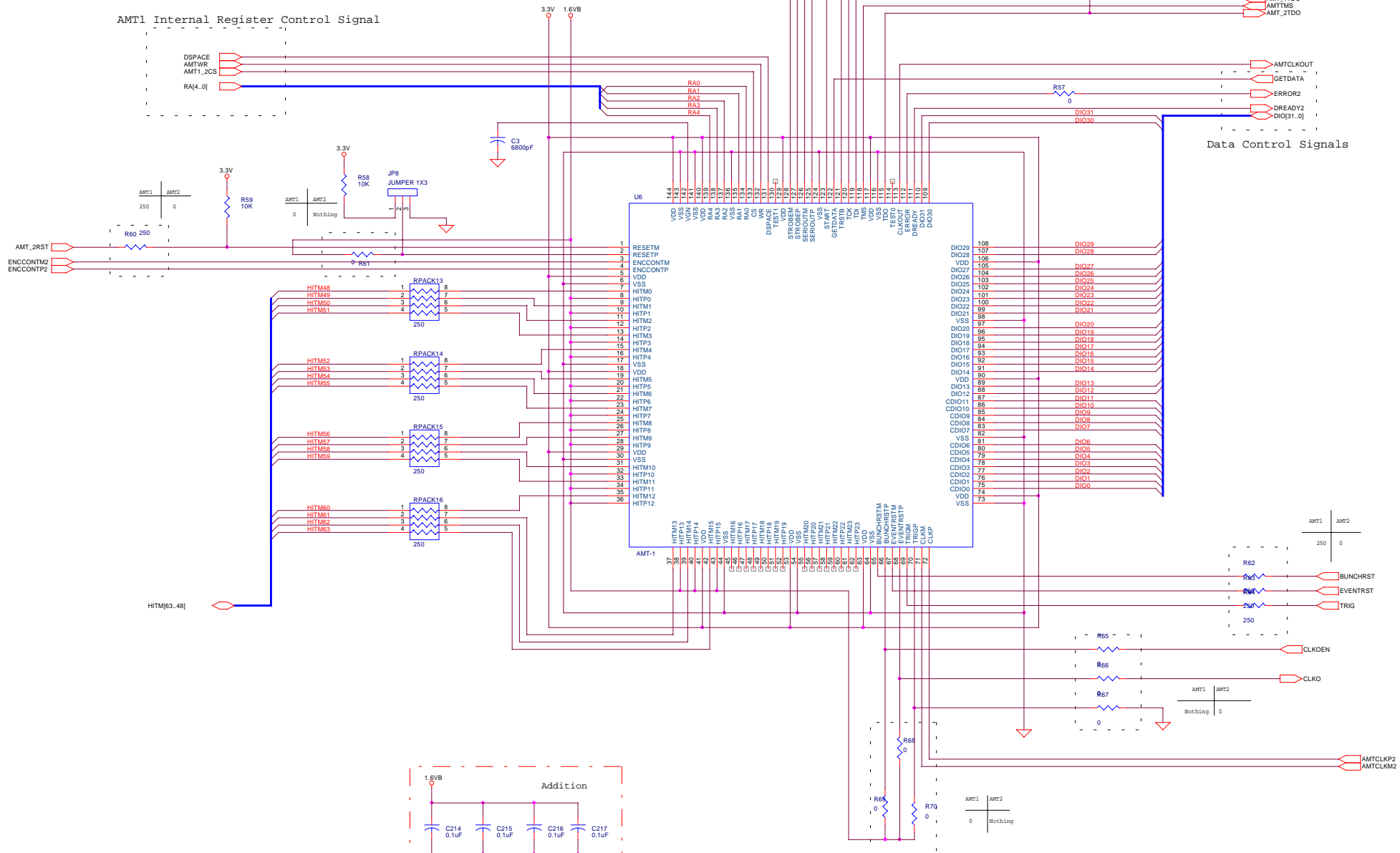
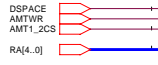
AMT1 AMT2
250 0

AMT1 AMT2
250 250
0

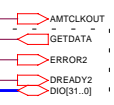
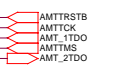
AMT1 AMT2
0 Nothing

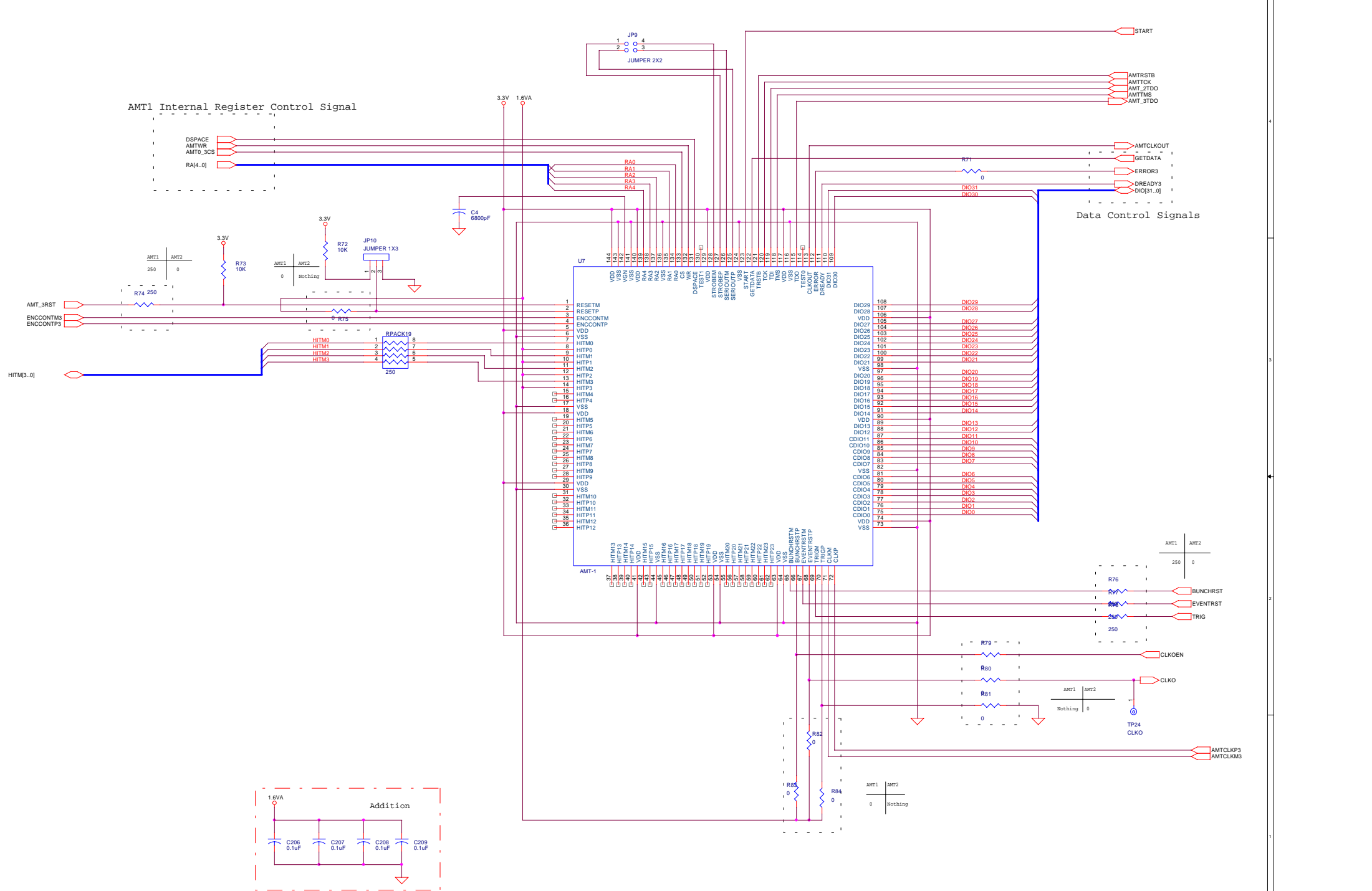
AMT1 AMT2
0 Nothing

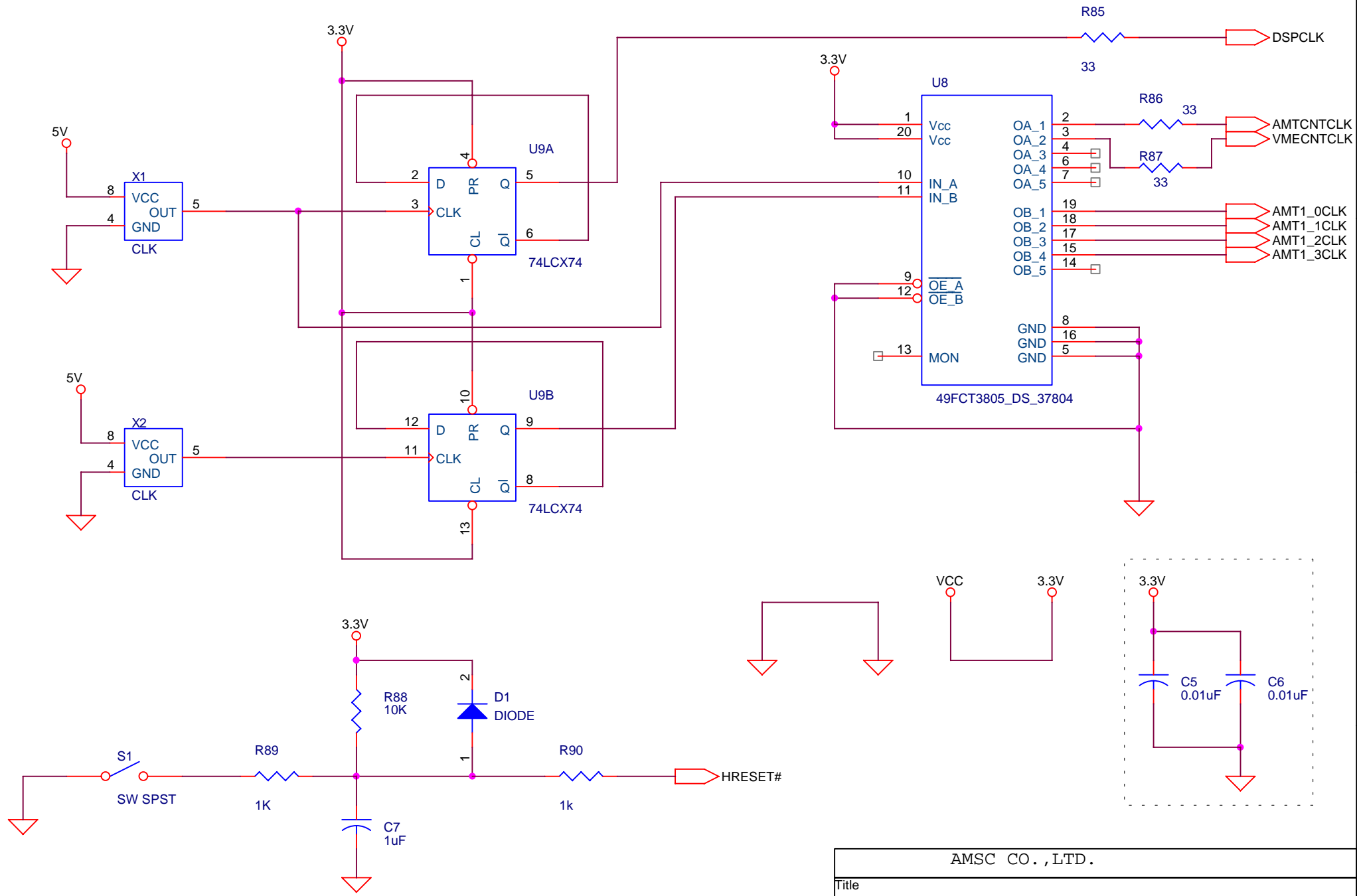
AMT1 Internal Register Control Signal



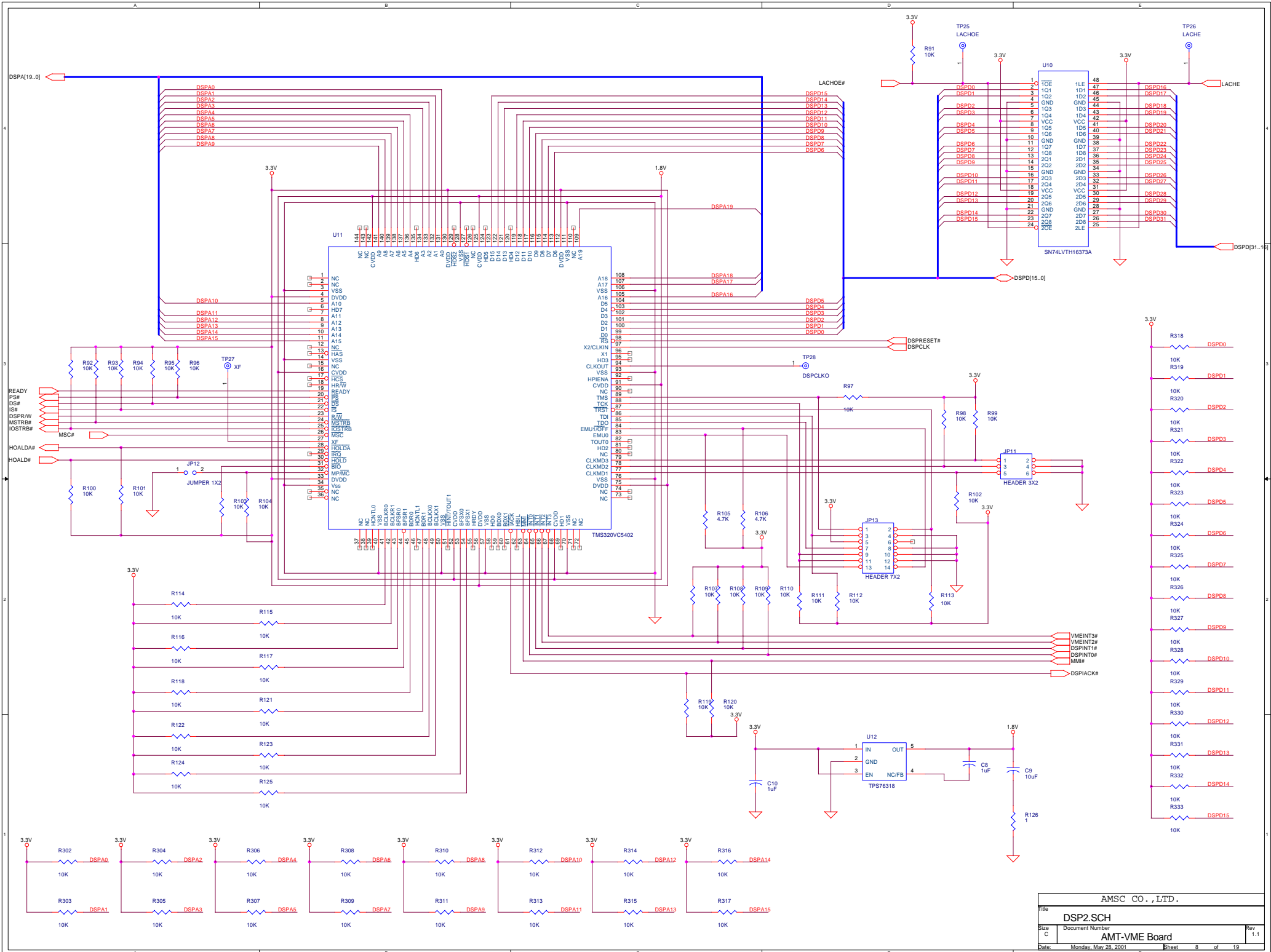
Data Control Signals



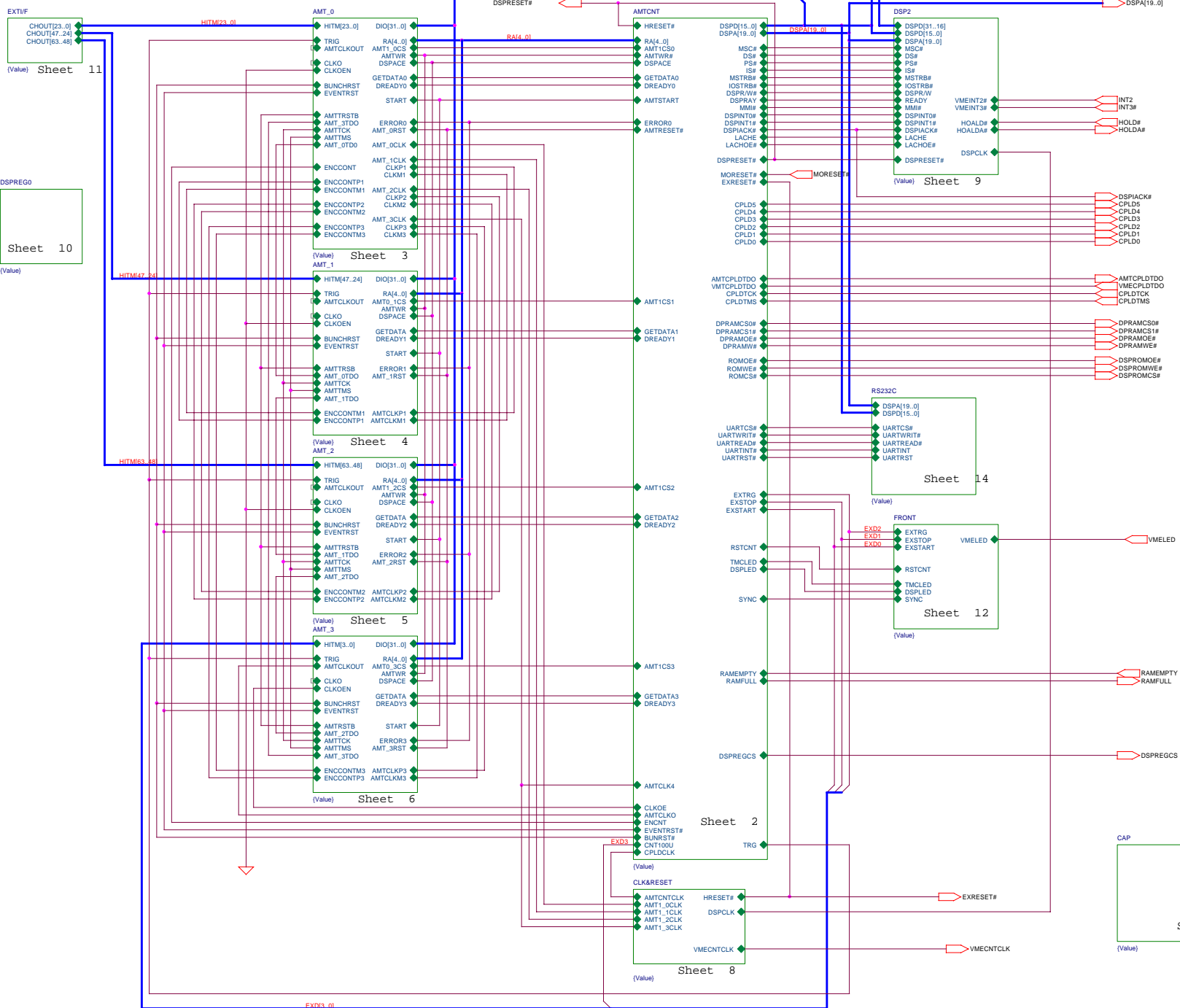




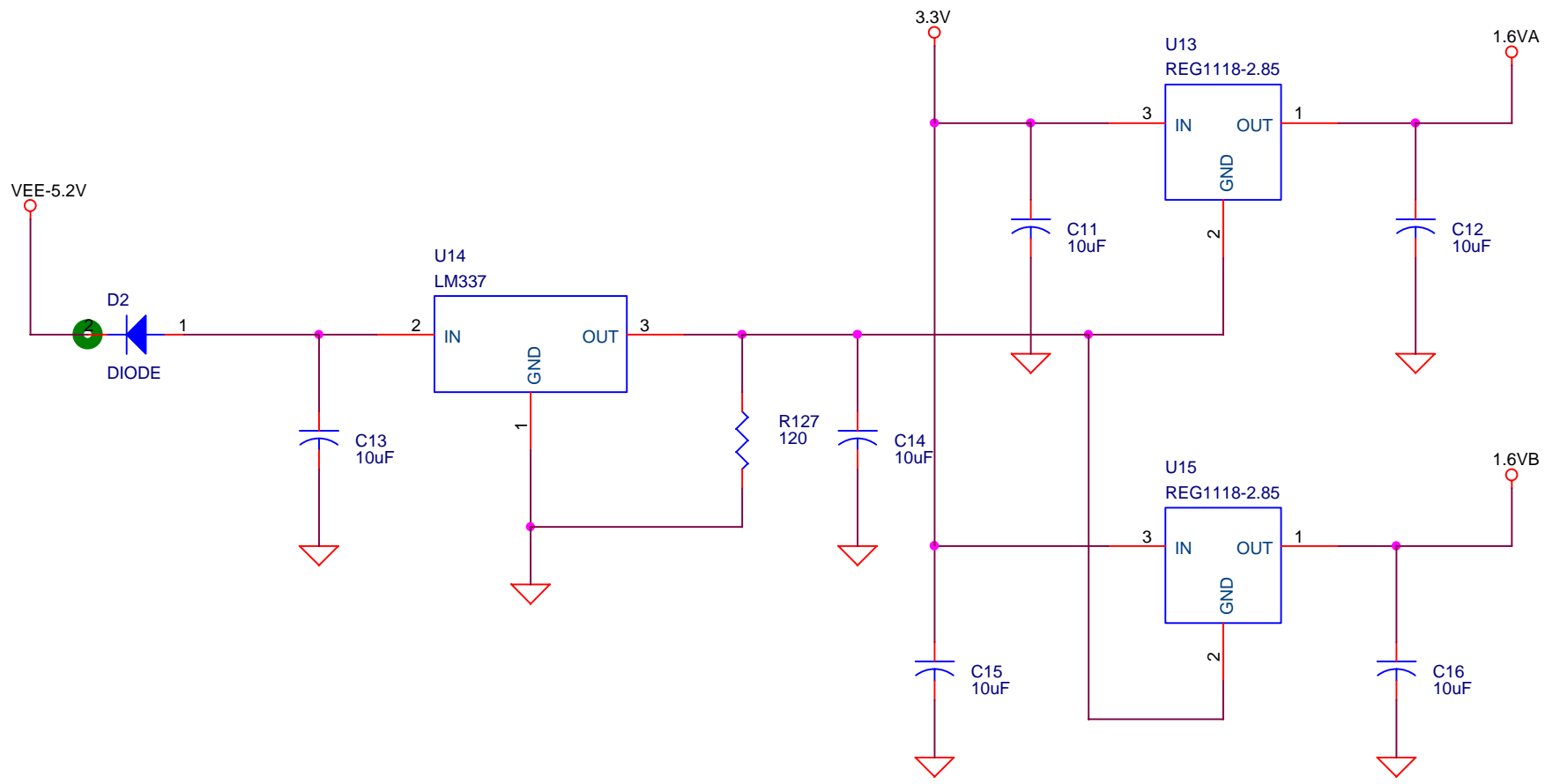
AMSC CO., LTD.		
Title CLK & RESET.SCH		
Size A	Document Number AMT-VME Board	Rev 1.1
Date:	Friday, May 25, 2001	Sheet 7 of 19



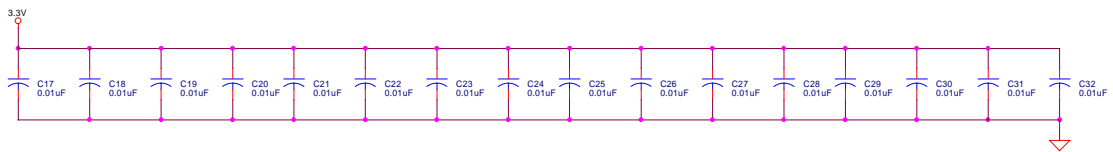
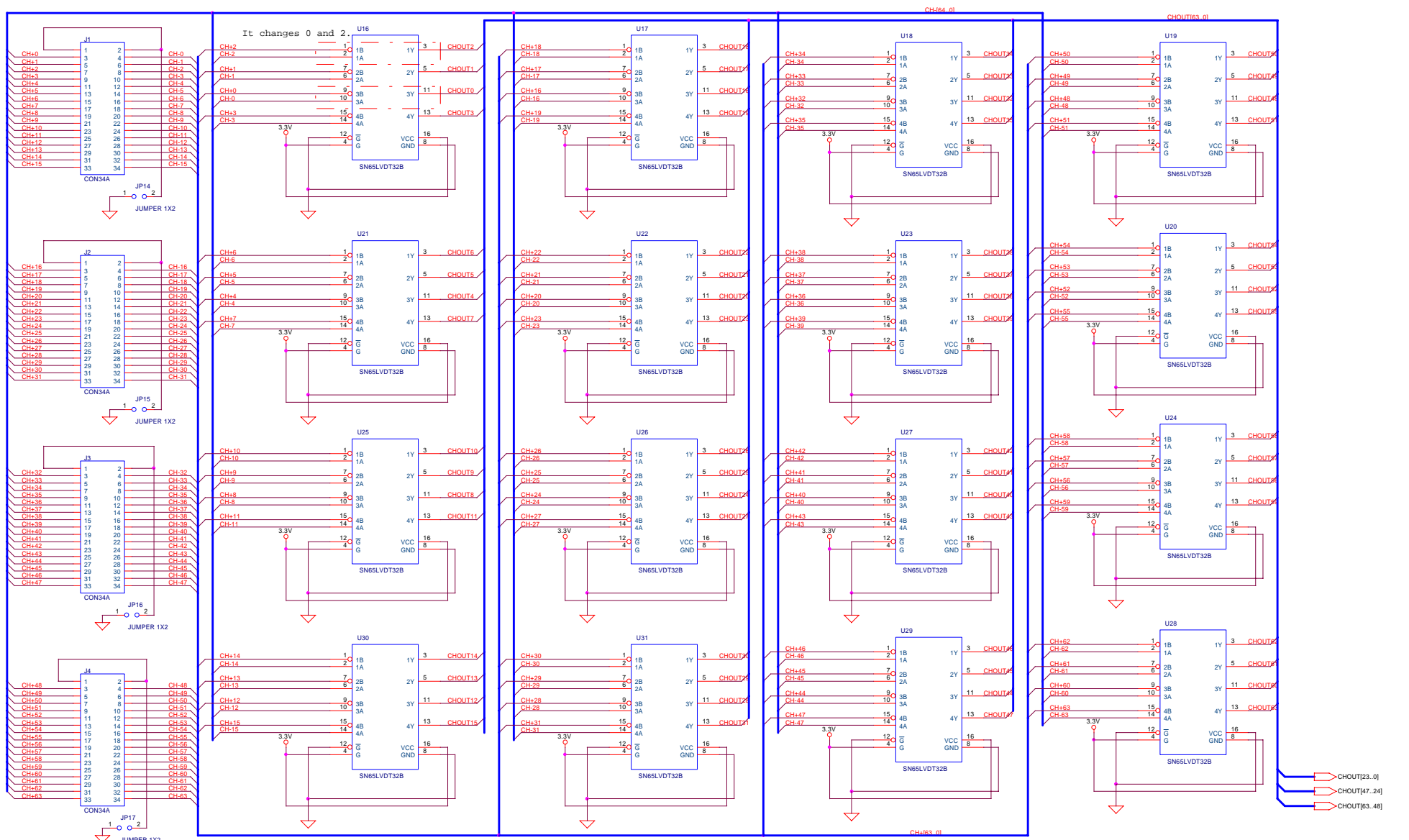
AMSC CO., LTD.		
File	DSP2.SCH	
Size	Document Number: AMT-VME Board	
C	Rev 1.1	
Date:	Monday, May 28, 2001	Sheet 8 of 19



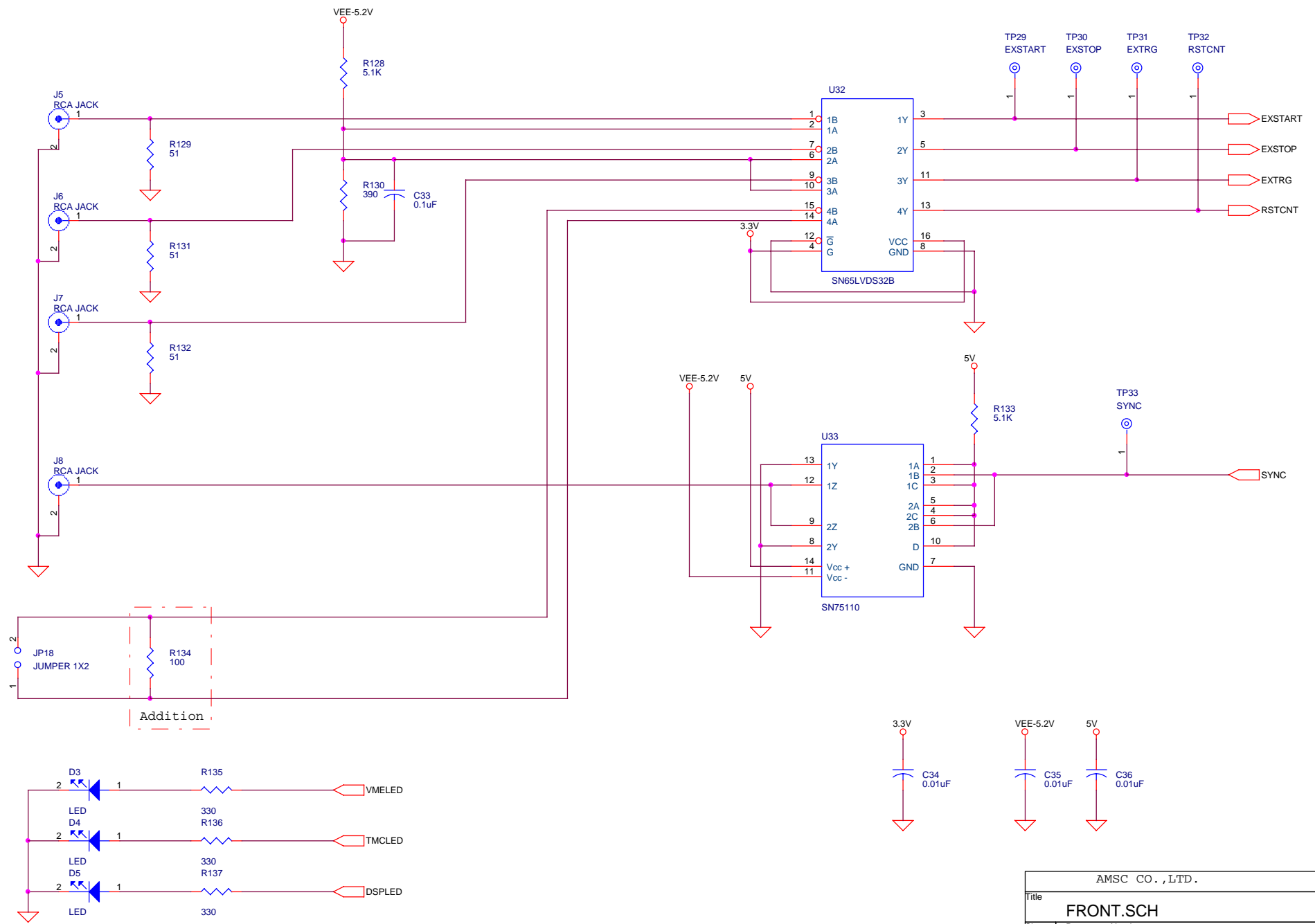
AMSC CO., LTD.		
File	DSPBLK.SCH	
Size	Document Number	Rev
C	AMT-VME Board	1.1
Date	Wednesday, October 24, 2001	Sheet 9 of 19



AMSC CO. , LTD.		
Title DSPREG0.SCH		
Size A	Document Number AMT-VME Board	Rev 1.1
Date:	Monday, May 28, 2001	Sheet 10 of 19

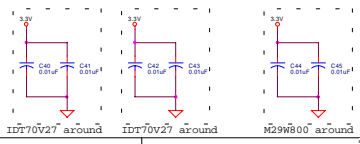
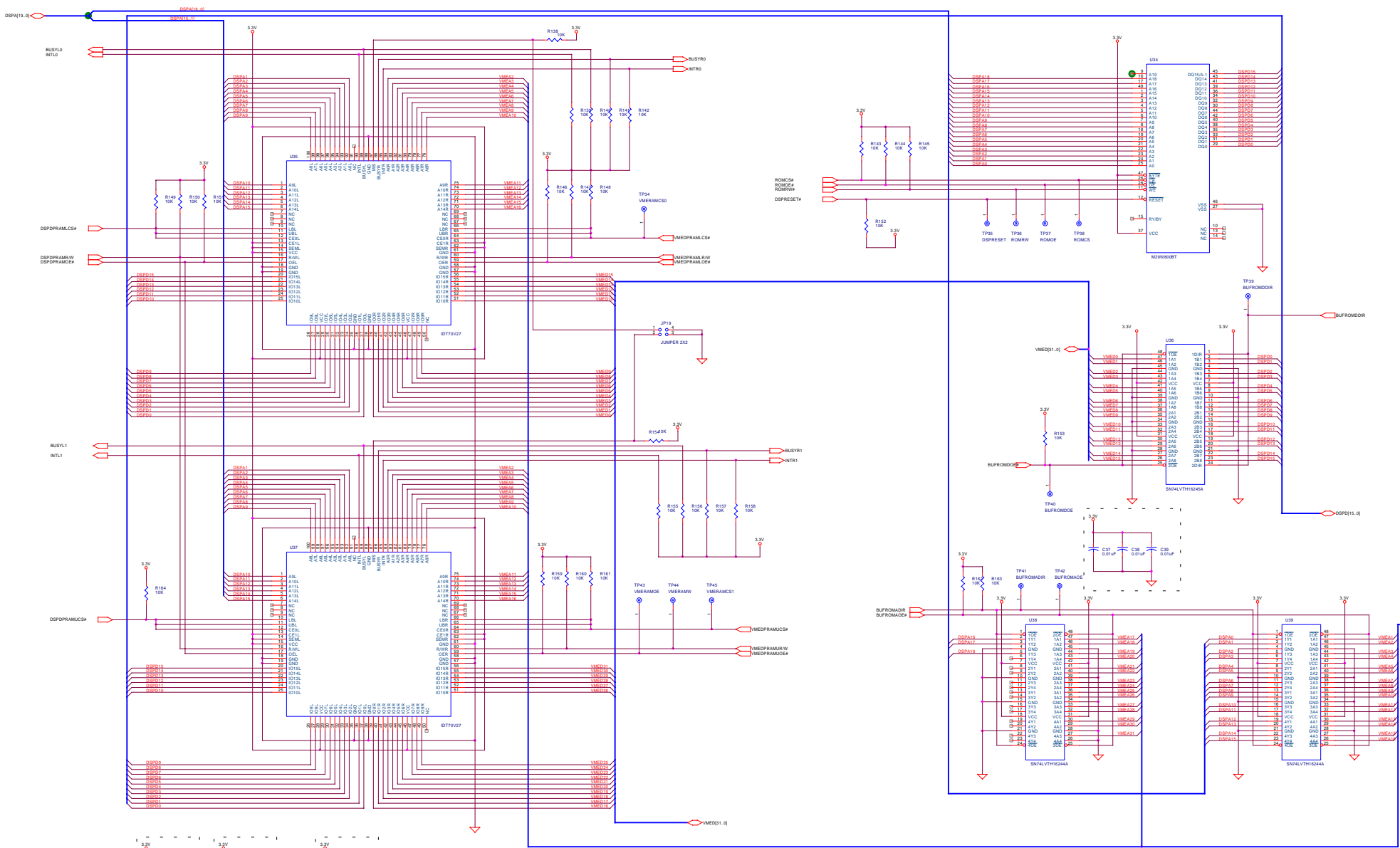


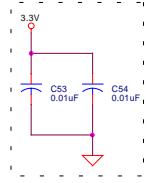
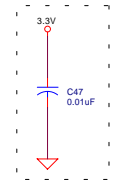
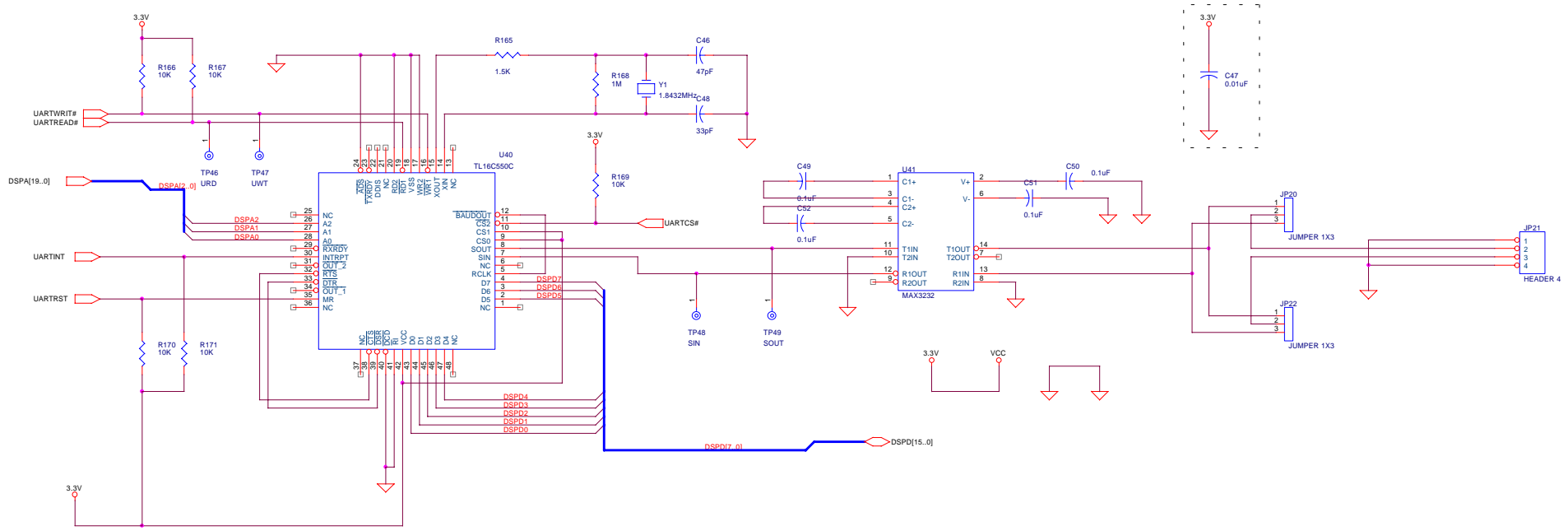
AMSC CO., LTD.		
File	EXTI/F.SCH	
Size	Document Number	Rev
C	AMT-VME Board	1.1
Date:	Wednesday, October 24, 2001	Sheet 11 of 19



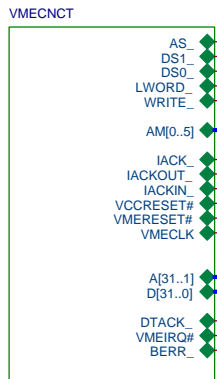
Addition

AMSC CO., LTD.		
Title	FRONT.SCH	
Size	Document Number	Rev
B	AMT-VME Board	1.0
Date:	Monday, July 02, 2001	Sheet 12 of 19

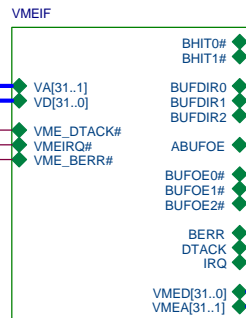




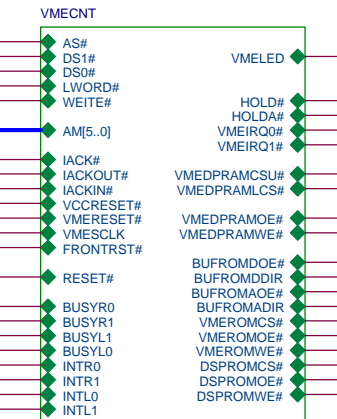
AMSC CO., LTD.		
file	RS232C	
Size	Document Number	Rev
C	AMT-VME Board	1.1
Date:	Friday, May 25, 2001	Sheet 14 of 19



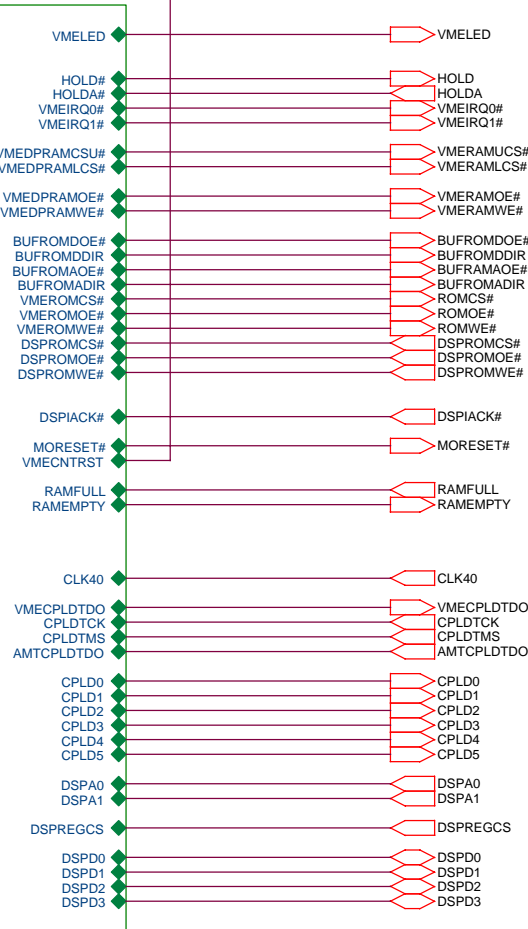
{Value} Sheet 16



{Value} Sheet 18

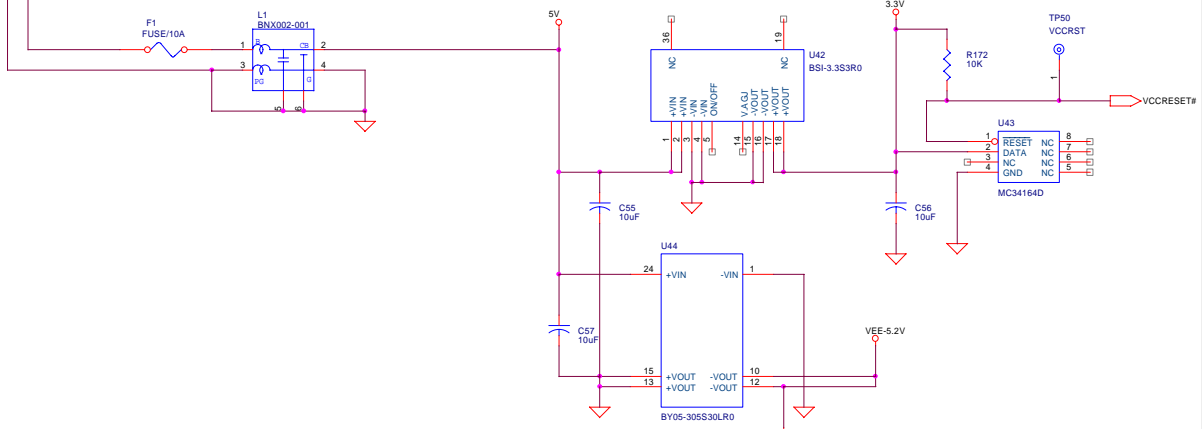
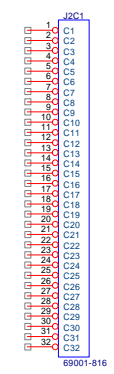
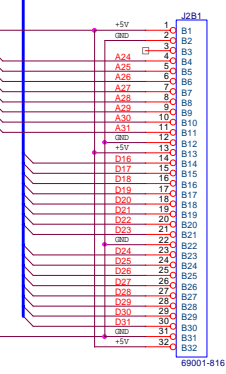
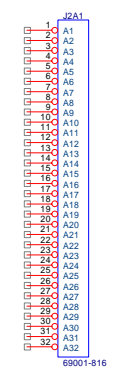
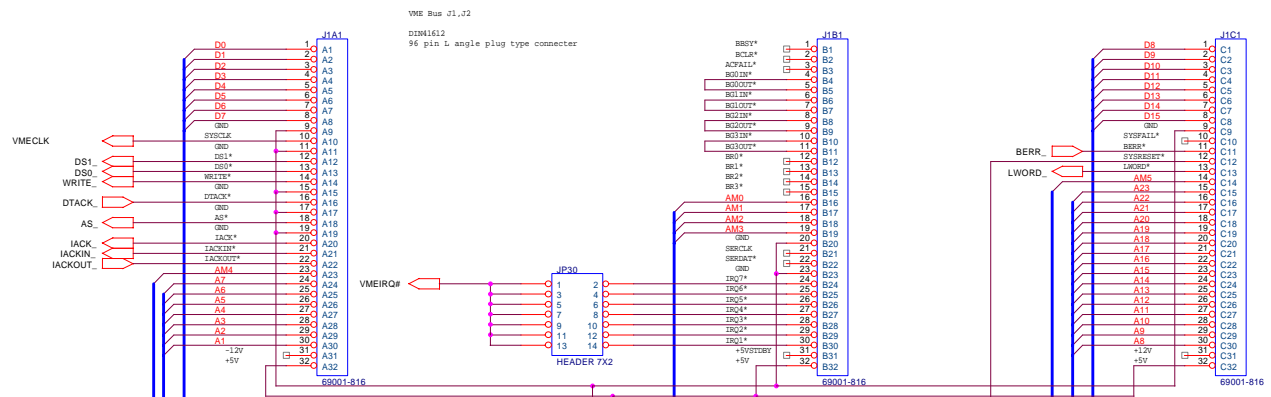


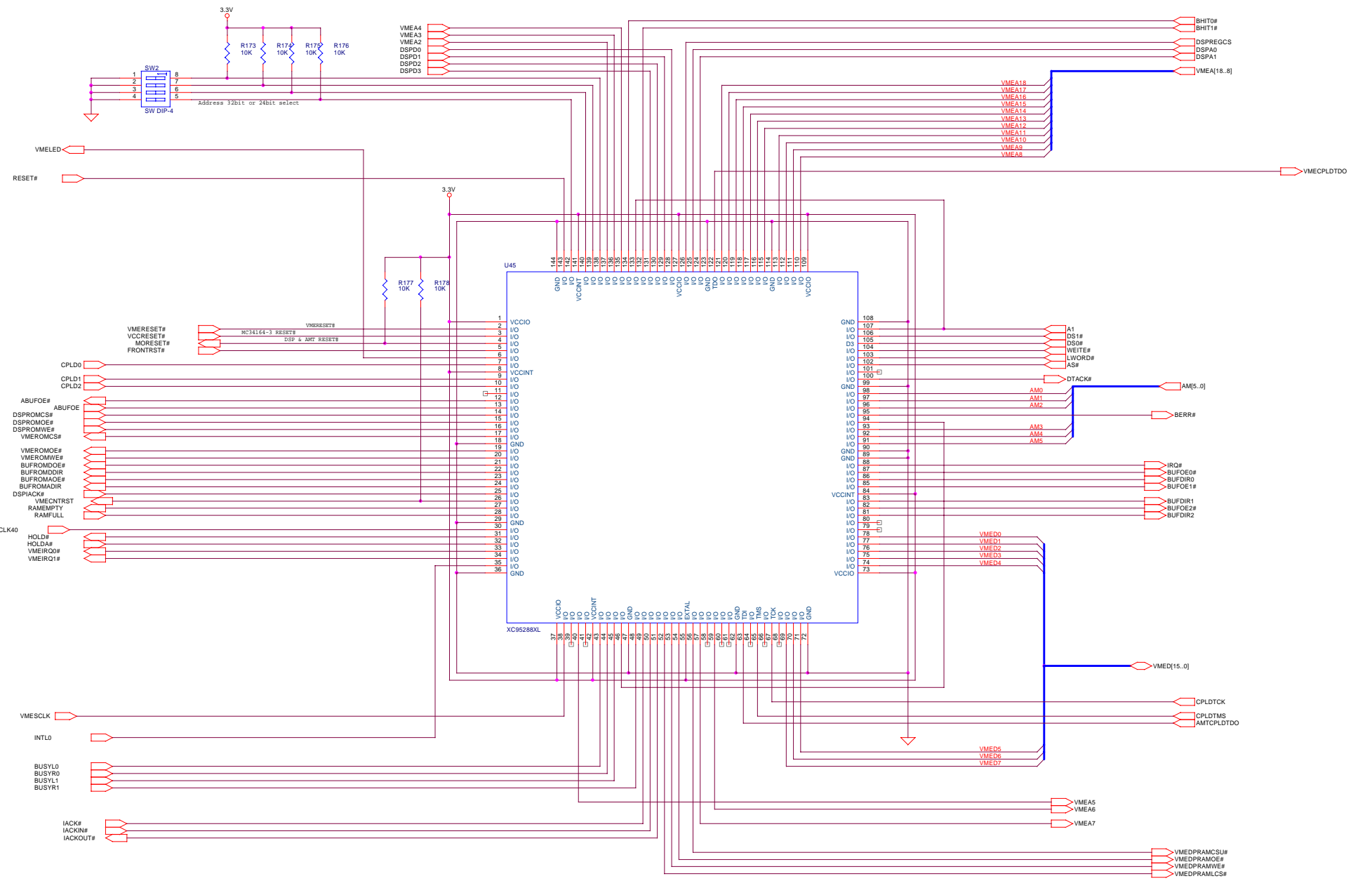
{Value} Sheet 17

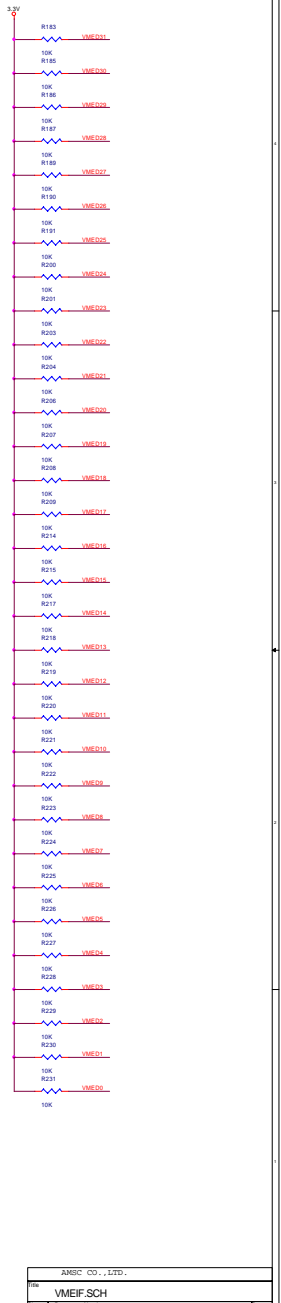
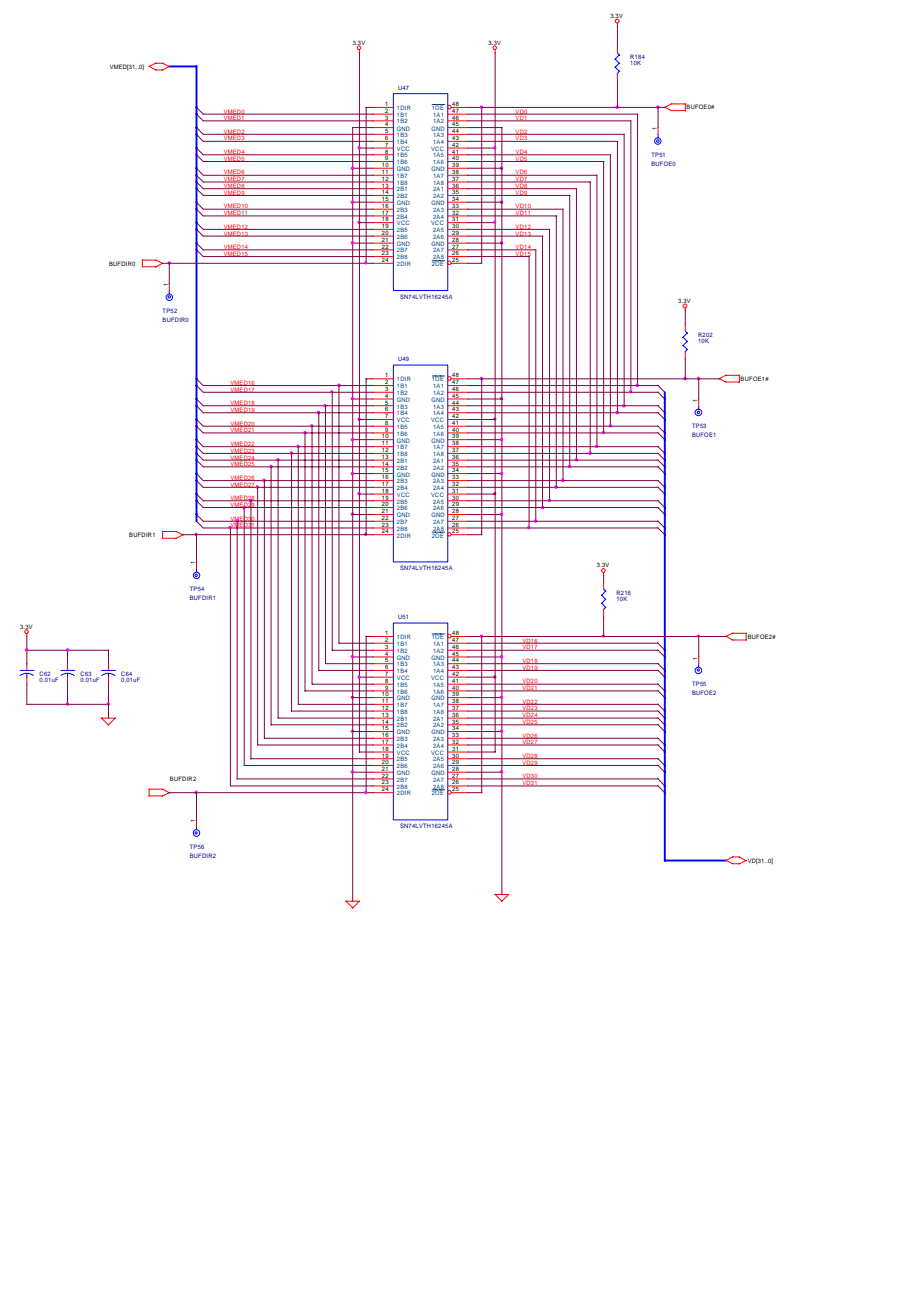
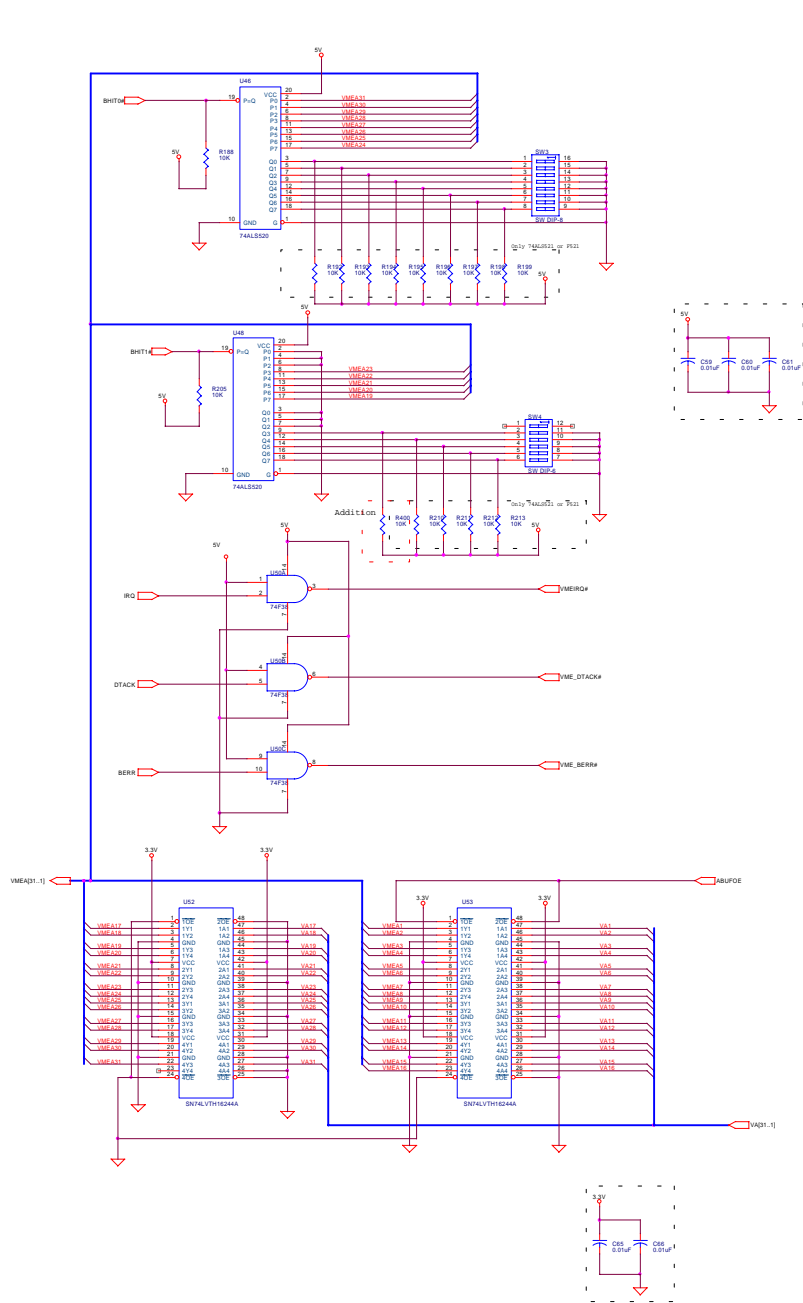


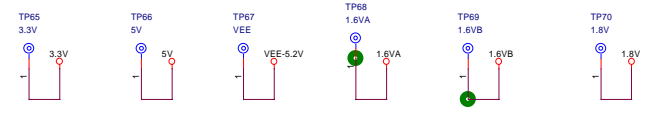
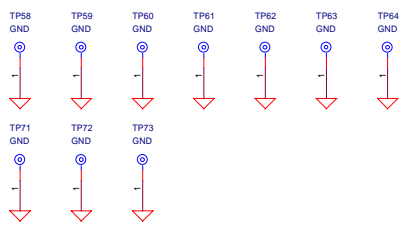
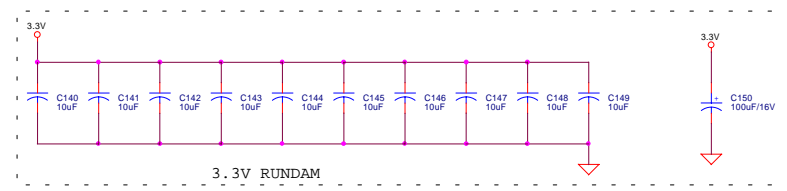
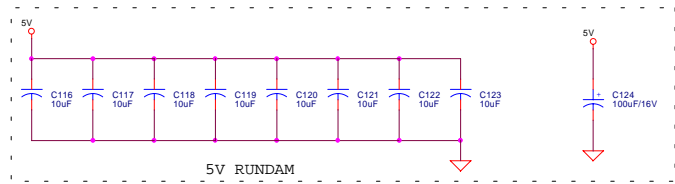
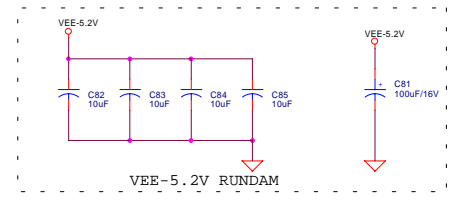
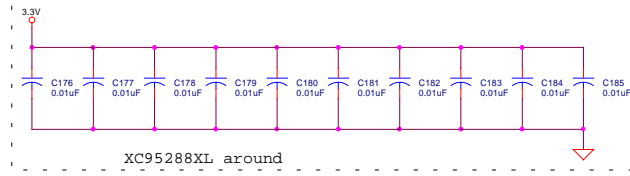
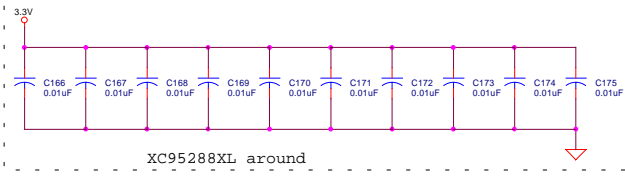
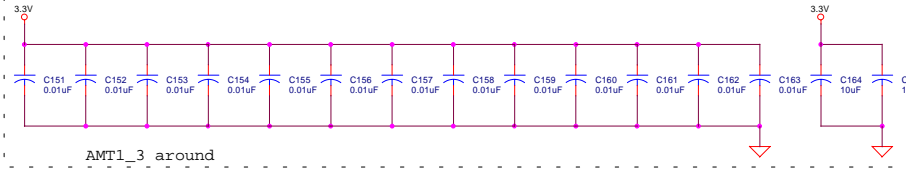
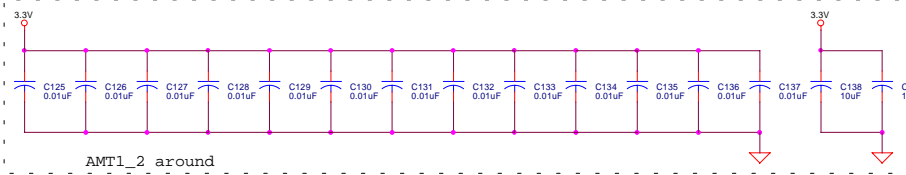
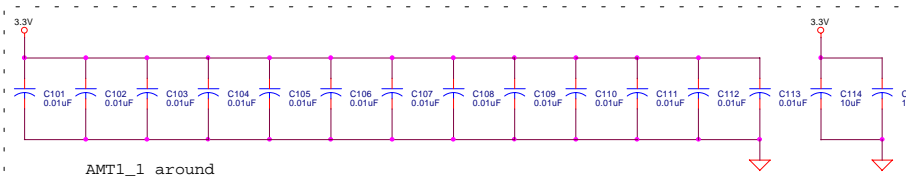
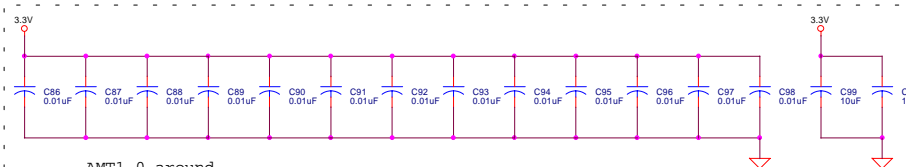
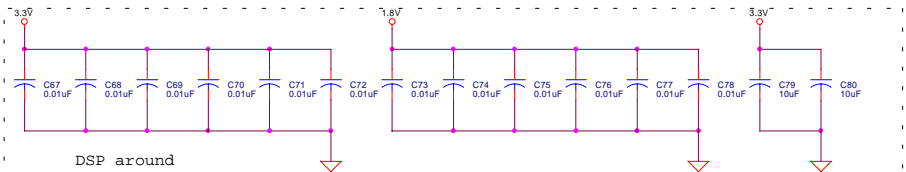
VMEA[31..1]
VMED[31..0]

AMSC CO., LTD.		
Title VMEBLK.SCH		
Size B	Document Number AMT-VME Board	Rev 1.1
Date: Wednesday, October 24, 2001	Sheet 15	of 19









AMSC CO., LTD.		
File	XCAP.SCH	
Size	Document Number	Rev
C	AMT-VME Board	1.1
Date:	Monday, May 28, 2001	Sheet 19 of 19