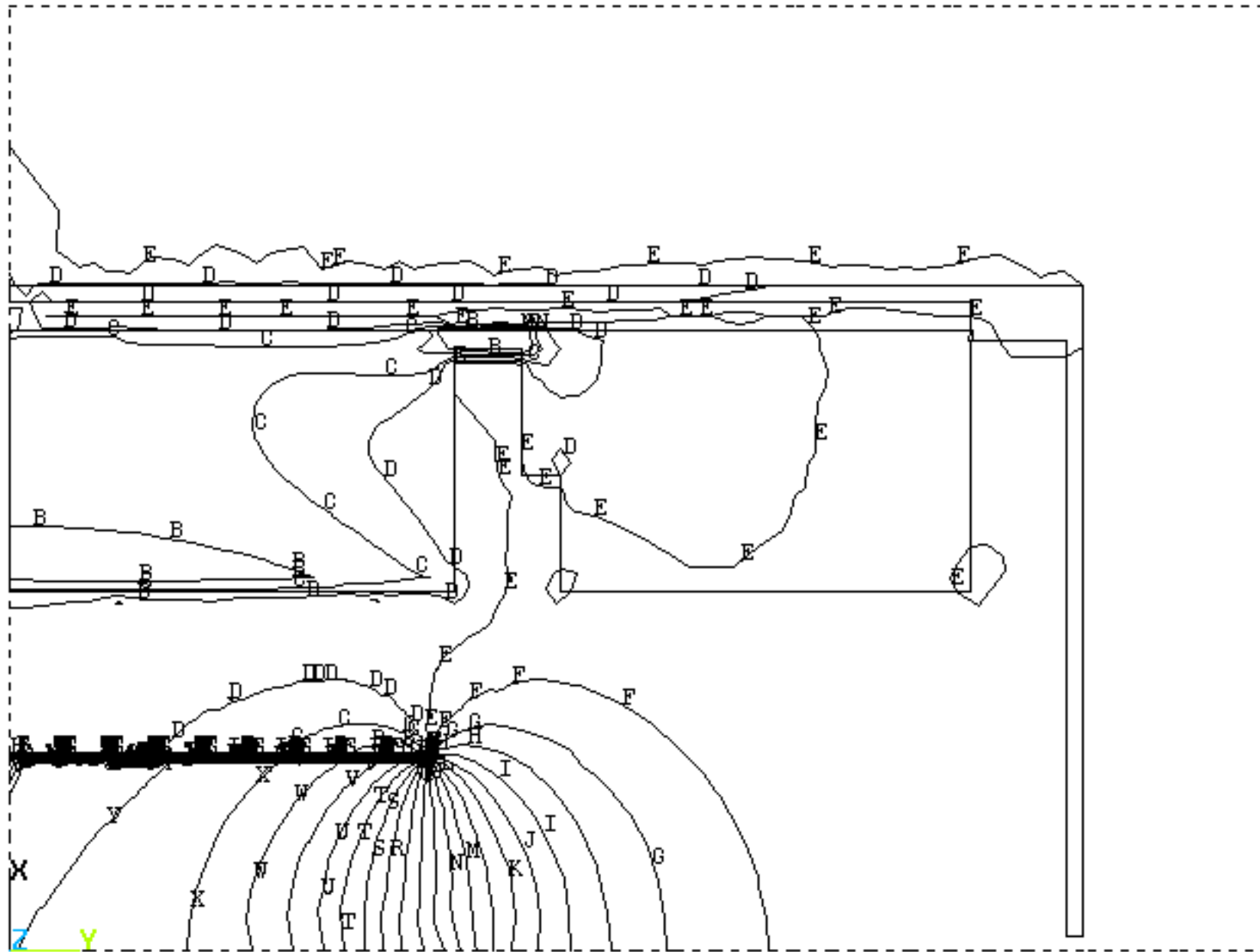


1



ANSYS 5.2
 APR 23 1997
 11:08:51
 NODAL SOLUTION
 STEP=2
 SUB =1
 TIME=2
 BY (AVG)
 RSYS=0
 DMX = .001185
 SMN = -.530896
 SMX = 2.042
 A = -.4
 B = -.3
 C = -.2
 D = -.1
 E = 0
 F = .1
 G = .2
 H = .3
 I = .4
 J = .5
 K = .6
 L = .7
 M = .8
 N = .9
 O = 1
 P = 1.1
 Q = 1.2
 R = 1.3
 S = 1.4
 T = 1.5
 U = 1.6
 V = 1.7
 W = 1.8
 X = 1.9
 Y = 2

ELEMENTS
 TYPE NUM

ZV = -1