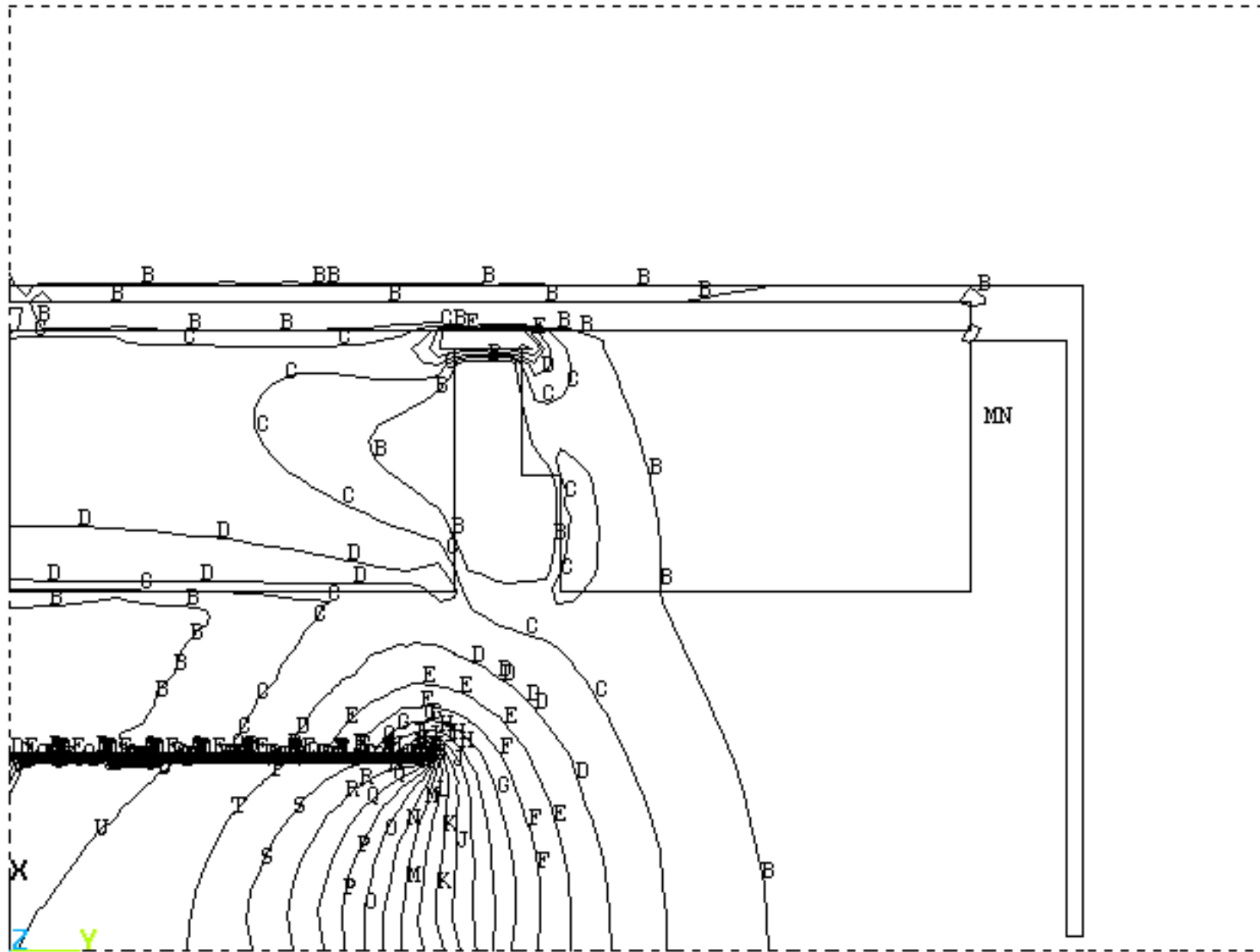


1



ANSYS 5.2
APR 23 1997
11:11:04
NODAL SOLUTION
STEP=2
SUB =1
TIME=2
BSUM (AVG)
DMX =.001185
SMN =.557E-04
SMX =2.042
A =0
B =.1
C =.2
D =.3
E =.4
F =.5
G =.6
H =.7
I =.8
J =.9
K =1
L =1.1
M =1.2
N =1.3
O =1.4
P =1.5
Q =1.6
R =1.7
S =1.8
T =1.9
U =2

ELEMENTS
TYPE NUM

ZV =-1
DIST=4.4
XF =3
YF =4
A-ZS=-90
EDGE