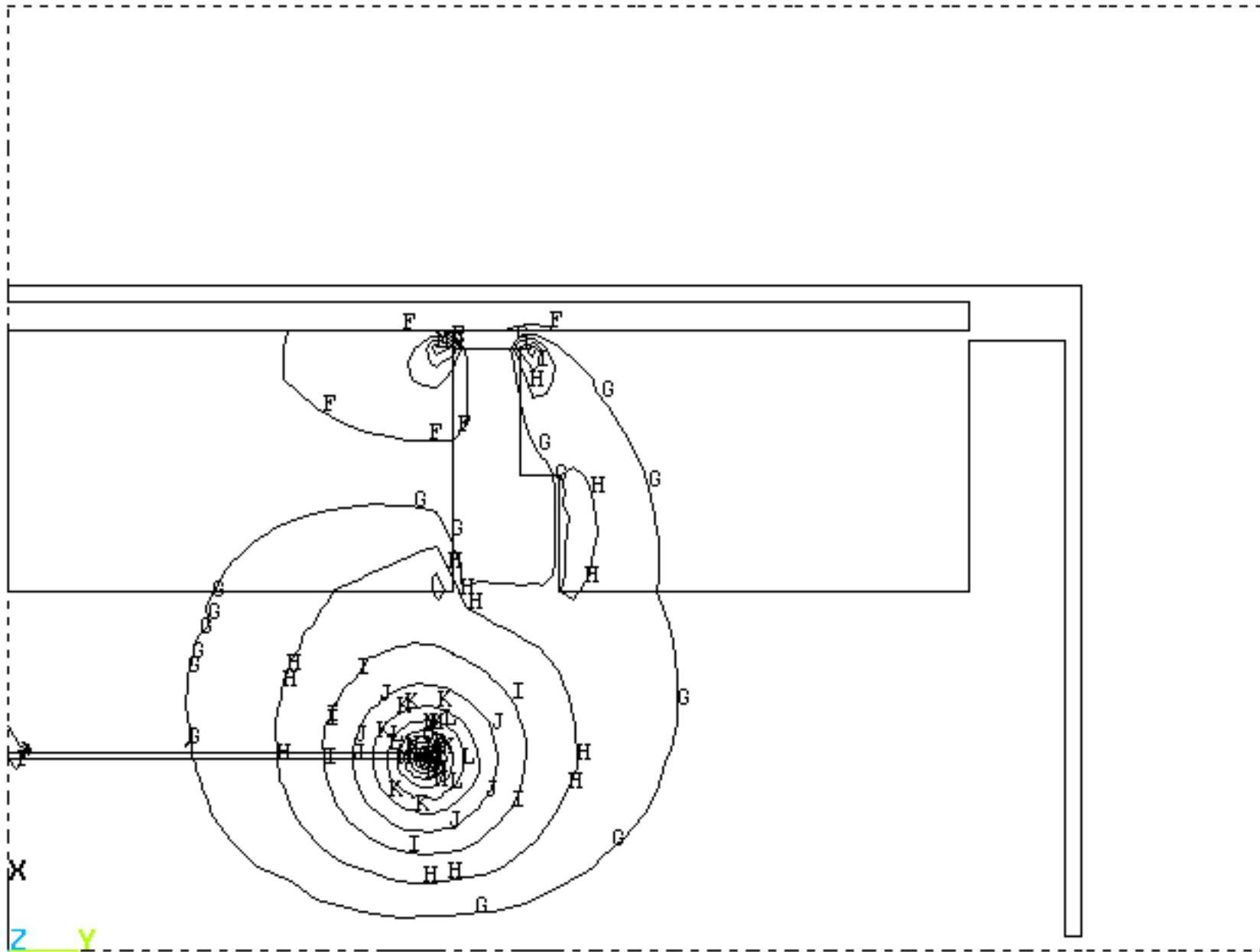


1



ANSYS 5.2  
APR 23 1997  
11:02:10  
NODAL SOLUTION  
STEP=2  
SUB =1  
TIME=2  
BX (AVG)  
RSYS=0  
DMX = .001185  
SMN = -.367398  
SMX = 1.534  
A = -.5  
B = -.4  
C = -.3  
D = -.2  
E = -.1  
F = 0  
G = .1  
H = .2  
I = .3  
J = .4  
K = .5  
L = .6  
M = .7  
N = .8  
O = .9  
P = 1  
Q = 1.1  
R = 1.2  
S = 1.3  
T = 1.4  
U = 1.5

ELEMENTS  
TYPE NUM

ZV = -1  
DIST = 4.4  
XF = 3  
YF = 4  
A-ZS = -90